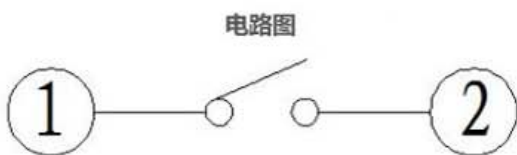
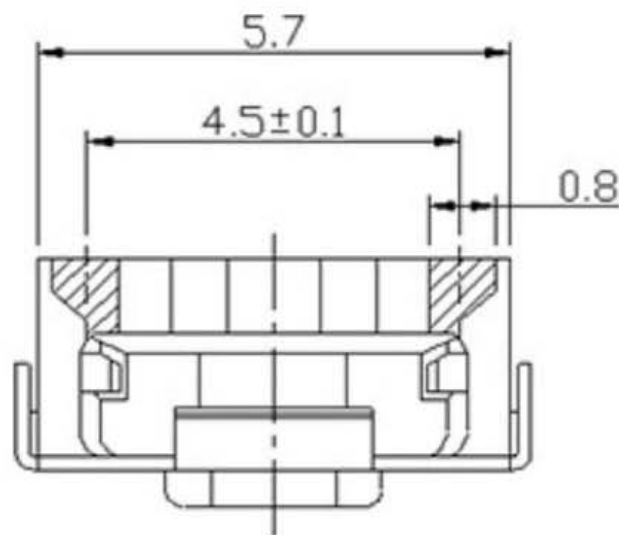


P.C.B LAND DIMENSION



CIRCUIT DIAGRAM



SPECIFICATIONS

Rating	DC 12V 50mA.			
Insulation Resistance	50 MΩ Min.			
Contact Resistance	100 mΩ Max.			
Operating Force	2	160 ± 50gf	3	260 ± 50gf
Operating Life (cycles)	50,000			

NO.	DESCRIPTION	QTY	MATERIAL	PLATING
E	TERMINAL	3	PHOSPHOR BRONZE	Ag plated
D	CONTACT	2	SUS	Ag plated
C	COVER	1	PHOSPHOR BRONZE	Ag plated
B	BASE	1	PA6T	Black
A	STEM	1	PPA	White

7	新增尺寸	Jack	010318
6	更新圖面尺寸	Jack	112317
5	更新PCB LAYOUT樣式及尺寸	Jack	020917
4	更新PCB LAYOUT樣式	Jack	011717
3	更新SPEC及材質	Jack	061515
2	更新尺寸標示	Jack	050615
1	新增PIN編號	Jack	020915
ITEM NO.	DESCRIPTION	DRAWN	DATE



东莞市高迪电子有限公司

Dong Guan KDRR Electronic Switch Jack Co., Ltd.

TOLERANCE UNLESS OTHERWISE STATED:
 Up to 5 ±0.2
 Above 5 - 15 ±0.3
 Above 15 - 30 ±0.4
 Above 30 - 50 ±0.5
 Angle ±0.3

3RD. ANGEL'S



UNITS MM

DRAWN BY:	DATE	MAT'L	TITLE	SWITCH
Jack Lu	01/03/18			
CHECKED BY:	DATE	FINISH	MODLE	TACT SWITCH
Jacky Chen	01/03/18			
APPROVED BY:	DATE	SCALE	DWG NO.	SIZE
Tony Kao	01/03/18	1 : 1		A4
		SHEET NO.	PART NO.	VER
		1 of 1		R7