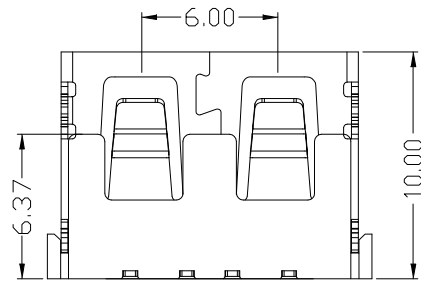
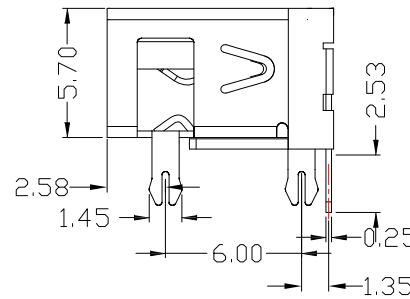
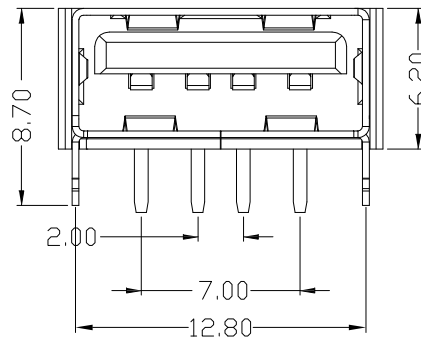


**Recommended PCB Layout**



**SUA-110H20-x-S235**

Color :

W:White
B:Black

**SPECIFICATIONS**

**Electrical:**

- 1.Contact Resistance: 30 mΩ Max
- 2.Insulation Resistance: 1,000 MΩ Min
- 3.Dielectric Withstanding Voltage:  
Unmated Contavt 500 V AC FOR 1 min

**Mechanical:**

- 1.Insertion force: 35N(3.57 Kgf) Max
- 2.Extraction force: 10~30N(1.02~3.57Kgf)
- 2.Operating Temperature: -55°C ~ 85°C



**东莞市高迪电子有限公司**  
Dong Guan KDRR Electronic Switch Jack Co., Ltd.

TOLERANCE UNLESS OTHERWISE STATED :

Up to 5 ±0.2  
Above 5 ~ 15 ±0.3  
Above 15 ~ 30 ±0.4  
Above 30 ~ 50 ±0.5  
Angle ±0.3

3RD. ANGEL'S



UNITS

MM

DRAWN BY:	DATE
Jack Lu	09/10/13
CHECKED BY:	DATE
Jacky Chen	09/10/13
APPROVED BY:	DATE
Tony Kao	09/10/13

MAT'L		TITLE	CONNECTOR
FINISH		MODLE	USB A/F 短體 10.0 無捲邊 4腳
SCALE	1 : 1	DWG NO.	SUA-110H20-x-S235
SHEET NO.	1 of 1	PART NO.	SUA-110H20-x-S235
		SIZE	A4
		VER	R1

1	新增尺寸	Jack	091013
ITEM NO.	DESCRIPTION	DRAWN	DATE