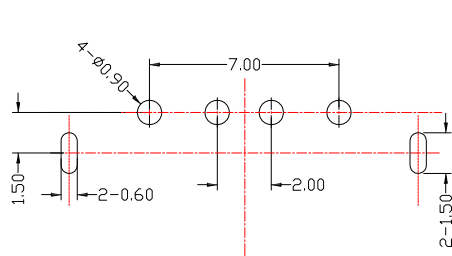
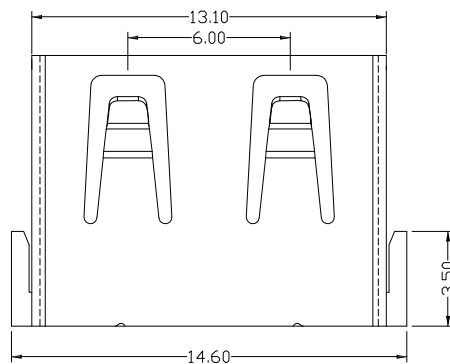
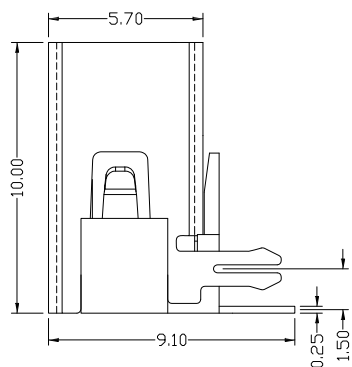
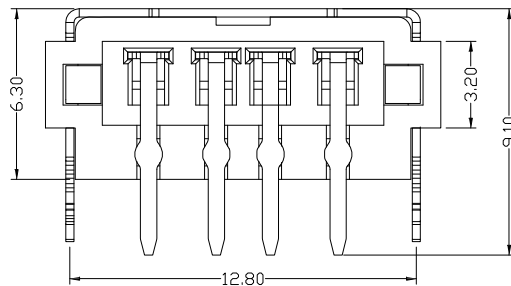




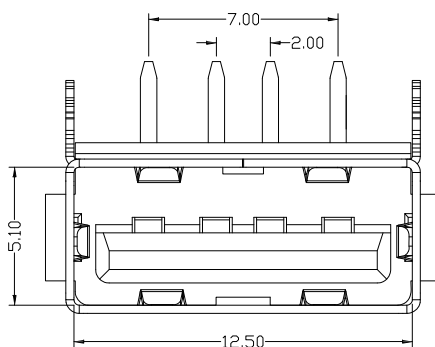
SUA-110H26-x-S235

Color :

Black : B
White : W
Orange : OR
Green : GR



P.C.B LAYOUT MOUNTING PATTERN



SPECIFICATIONS

Electrical:

- 1.Rating: 30V DC , 2.0A
- 2.Contact Resistance: 30 mΩ Max
- 3.Dielectric Withstanding Voltage: 500 V AC / 1 minute
- 4.Insulation Resistance: 1,000 MΩ Min

Mechanical:

- 1.Connector Mate and Unmate Force
 - 1.1 Mate force: 30 N (Max)
 - 1.2 Unmate force: 10N (Min)

Material:

- 1.Housing: LCP,UL 94V-0
- 2.Contact: Phosphor Bronze
- 3.Shell: Brass

Finish:

- 1.Contact: Plated Gold in Mating Area ;
Tin Plated on Solder Balls ;
Nickel under plated overall
- 2.Shell: Nickel under Plated surface layer



东莞市高迪电子有限公司
Dong Guan KDRR Electronic Switch Jack Co., Ltd.

TOLERANCE UNLESS OTHERWISE STATED :
Up to 5 ±0.2
Above 5 ~ 15 ±0.3
Above 15 ~ 30 ±0.4
Above 30 ~ 50 ±0.5
Angle ±0.3°

3RD. ANGEL'S

UNITS MM

DRAWN BY:	DATE	MAT'L	TITLE	CONNECTOR
Jack Lu	07/31/18			
CHECKED BY:	DATE	FINISH	MODLE	USB AF 短體10.0 無捲邊 後插
Jacky Chen	07/31/18			H:6.3mm
APPROVED BY:	DATE	SCALE	DWG NO.	SUA-110H26-x-S235
Tony Kao	07/31/18	1 : 1	PART NO.	SUA-110H26-x-S235
		SHEET NO.	1 of 1	SIZE A4
				VER R2