



# SUA-110H16x-x-S235

Shell Material :

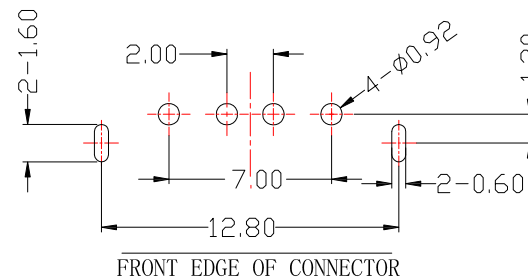
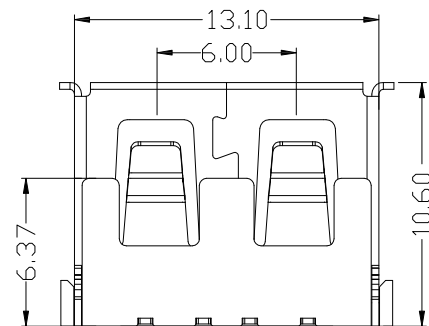
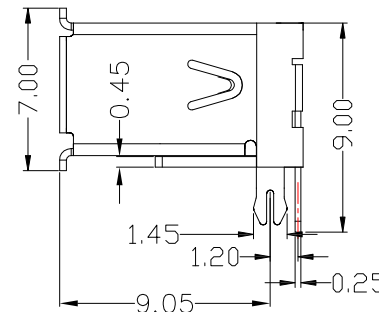
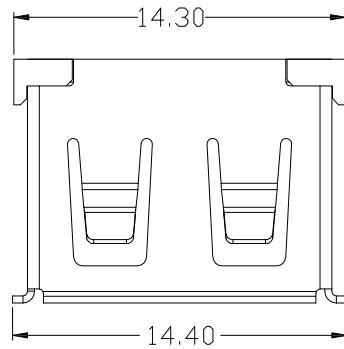
Blank : Brass

I : SPCC

COLOR :

Black: B

White : W



P.C.B LAYOUT MOUNTING PATTERN

## SPECIFICATIONS

### Electrical:

- 1.Contact Resistance: 30 mΩ Max
- 2.Dielectric Withstanding Voltage: 500 V AC FOR 1 MIN
- 3.Insulation Resistance: 1,000 MΩ Min
- 4.Operating Temperature: -55°C ~ 85°C

### Mechanical:

- 1.Connector Mate and Unmate Force  
Mate force: 35N(3.57 kgf) Max  
Unmate force: 10~35N(1.02~3.57 kgf) Min

### Material:

- 1.Housing: PBT
- 2.Contact: BRASS
- 3.Shell: BRASS / SPCC

### Finish:

- 1.Contact: Plated Gold in Mating Area ;  
Tin Plated on Solder Balls ;  
Nickel under plated overall
- 2.Shell: Nickel under Plated surface layer



东莞市高迪电子有限公司

Dong Guan KDRR Electronic Switch Jack Co., Ltd.

TOLERANCE UNLESS OTHERWISE STATED

Up to 5 ±0.2  
Above 5 ~ 15 ±0.3  
Above 15 ~ 30 ±0.4  
Above 30 ~ 50 ±0.5  
Angle ±0.3°

3RD. ANGEL'S



UNITS

MM

DRAWN BY:	DATE
Jack Lu	12/22/17
CHECKED BY:	DATE
Jacky Chen	12/22/17
APPROVED BY:	DATE
Tony Kao	12/22/17

MAT'L		TITLE	CONNECTOR
FINISH		MODLE	USB A/F 短體10.6 後2 腳,H:6.2 , DIP腳
SCALE	1 : 1	DWG NO.	SUA-110H16x-x-S235
SHEET NO.	1 of 1	PART NO.	SUA-110H16x-x-S235
		SIZE	A4
		VER	R1

1	新增外殼材質選項	Jack	122217
ITEM NO.	DESCRIPTION	DRAWN	DATE