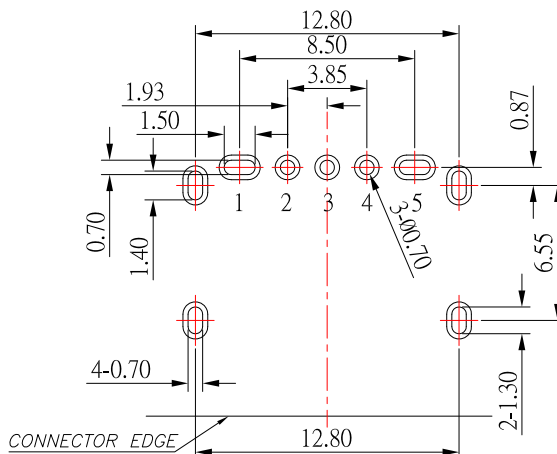




SUA-110H46-xx-S277

Color :	Black : B
Green : GR	
鍍層厚度 :	
Blank : 1u"	
2 : 15u"	
3 : 30u"	



RECOMMENDED PCB LAYOUT

NOTE:

1.MATERIAL:

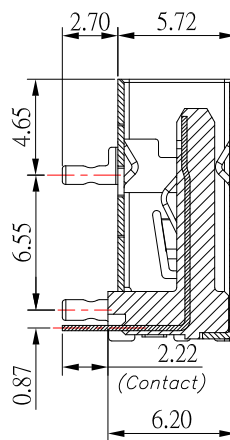
- 1.1 Housing: PA9T,
- 1.2 Contact: Phosphor Bronze
- 1.3 Shell: SUS

2.Finish:

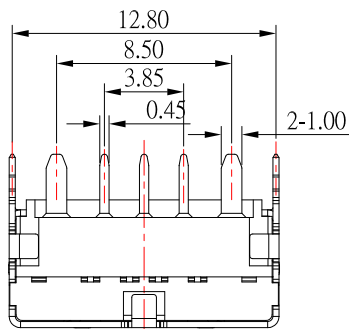
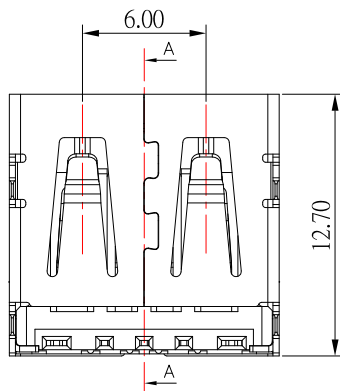
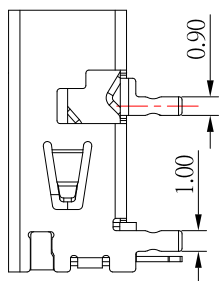
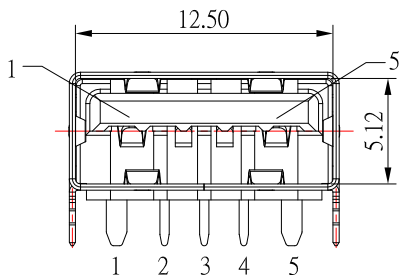
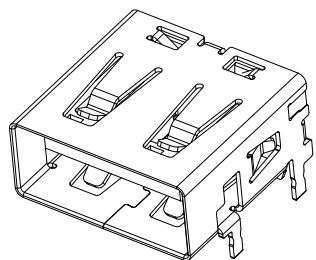
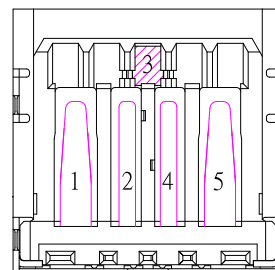
- 2.1 Contact: Plated Gold in Mating Area ;
Tin Plated on Solder Balls ;
Nickel under plated overall
- 2.2 Shell: Nickel under Plated surface layer

3.SPECIFICATION:

- 3.1 Current Rate: 4.0 A(VBUS & GND)
- 3.2 insulator Resistance:1000MΩ Min
- 3.3 Dielectric Strength: 500V AC
- 3.4 Contact Resistance: 30mΩ Max
- 3.5 Operation Temperature: -40°C ~ +85°C
- 3.6 Insertion Force: 3.57 kgf Max
- 3.7 Extraction Force: 1.02 kgf Min



SEC.A-A



东莞市高迪电子有限公司

Dong Guan KDRR Electronic Switch Jack Co., Ltd.

TOLERANCE UNLESS OTHERWISE STATED :

Up to 5 ±0.2
Above 5 ~ 15 ±0.3
Above 15 ~ 30 ±0.4
Above 30 ~ 50 ±0.5
Angle ±0.3°

3RD. ANGEL'S



UNITS MM

DRAWN BY:	DATE	MAT'L	TITLE	CONNECTOR
Jack Lu	10/18/17		MODLE	USB AF 2.0 90度 DIP 5PIN 直腳 無捲邊
CHECKED BY:	DATE	FINISH	DWG NO.	SUA-110H46-xx-S277
Jacky Chen	10/18/17	SCALE	1 : 1	PART NO.
APPROVED BY:	DATE	SHEET NO.	1 of 1	SUA-110H46-xx-S277
Tony Kao	10/18/17			

ITEM NO.	DESCRIPTION	DRAWN	DATE
3	更新為A0版	Jack	101817
2	新增顏色編碼	Jack	100317
1	新增pin編號及圖示	Jack	092217