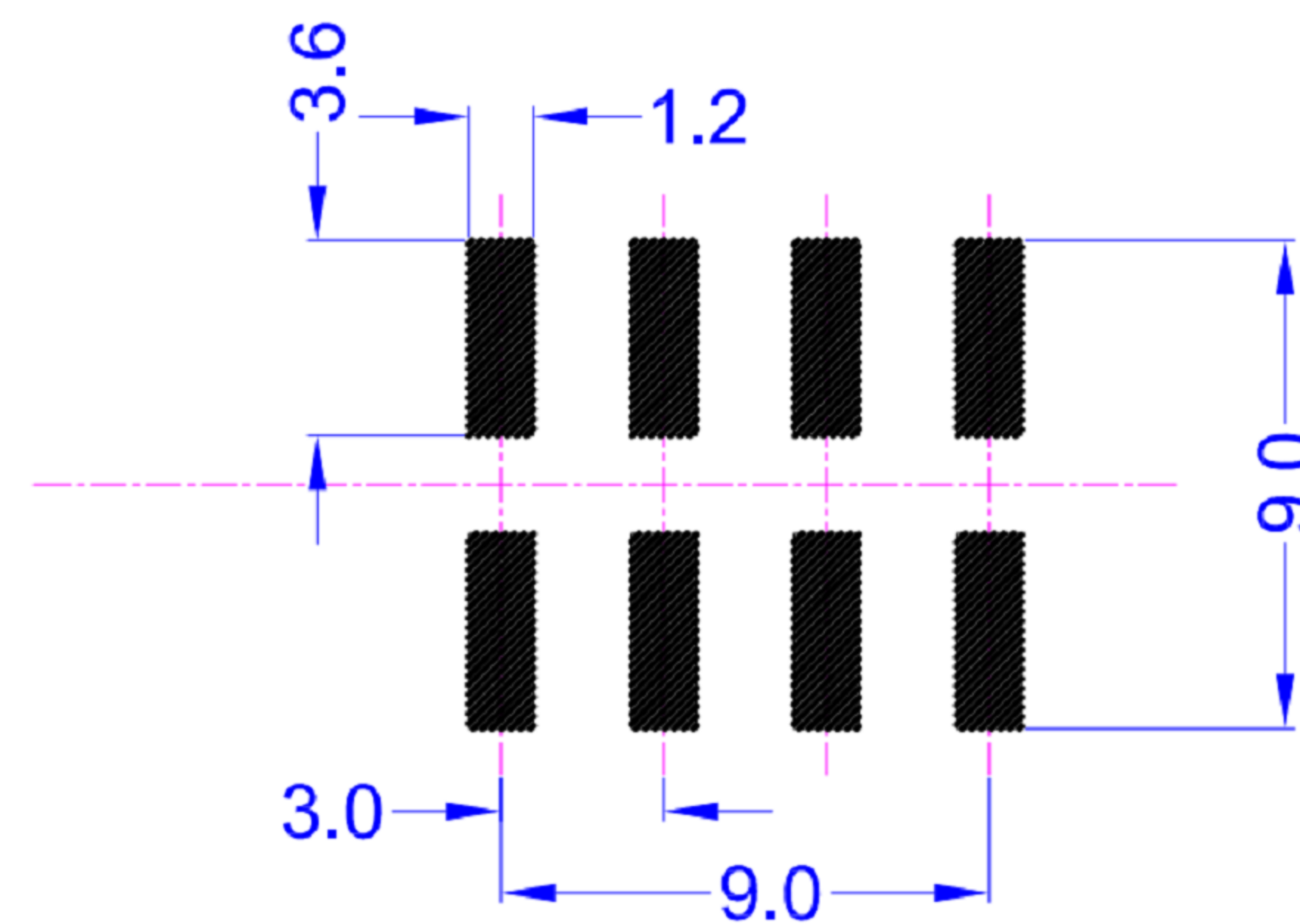
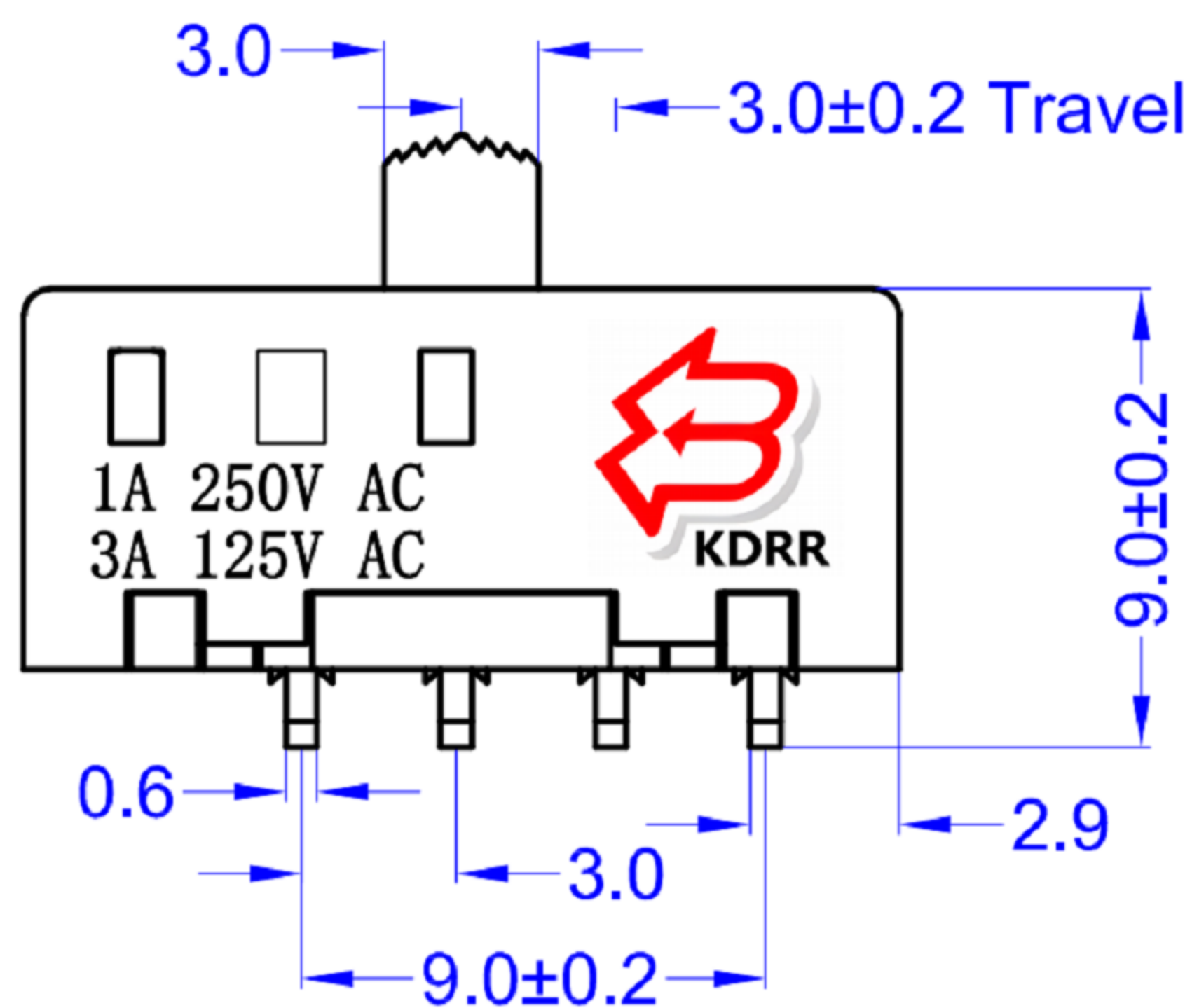


SCHEMATIC(SHORTING)



P.C.B LAYOUT

1. 额定负荷: 1A 250V 3A 125V AC
2. 接触阻抗: $\leq 50m\Omega$
3. 绝缘阻抗: $\geq 100m\Omega$ DC500V
4. 耐焊温度: $250\pm 5^{\circ}5s$
5. 使用寿命: 10,000 cycles
6. 使用温度: $-25^{\circ}C$ to $80^{\circ}C$
7. 使用湿度: $\leq 85\% RH$
8. 操作力: 450gf 可
9. 手柄长度: 2mm-10mm 可定制

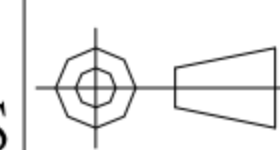


東莞市高迪電子有限公司
DONG GUAN GAO DI ELECTRONICS CO., LTD

TOLERANCE UNLESS OTHERWISE STATED:

Up to 5 ± 0.2
Above 5 ~ 15 ± 0.3
Above 15 ~ 30 ± 0.4
Above 30 ~ 50 ± 0.5
Angle $\pm 0.3^{\circ}$

3RD. ANGEL'S



UNITS MM

DRAWN BY: DATE
Ming Ming Zou 07/23/13
CHECKED BY: DATE
Ning Ning Su 07/23/13
APPROVED BY: DATE
Jia Xiang 07/23/13

MAT'L	TITLE	SWITCH SERIES
FINISH	MODLE	SLIDE SWITCH
SCALE 1:1	DWG NO.	GD-SS-H25-2211-SMT
SHEET NO. 1 of 1	PART NO.	

2	公差及料號更新	Jack	072313
1	圖面更新	Frank Wu	021012
ITEM NO.	DESCRIPTION	DRAWN	DATE