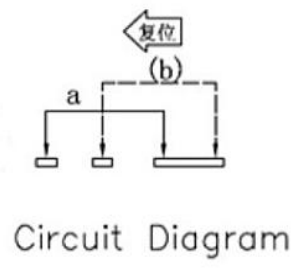
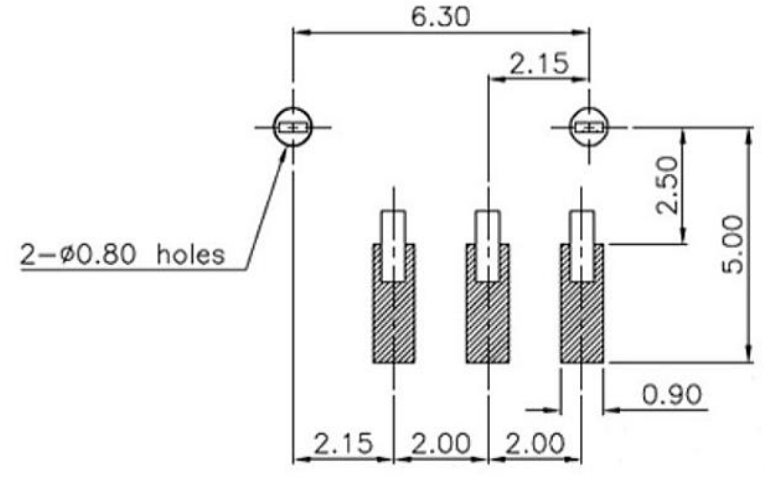
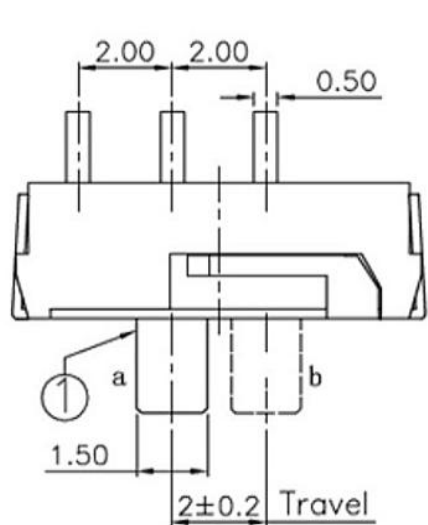
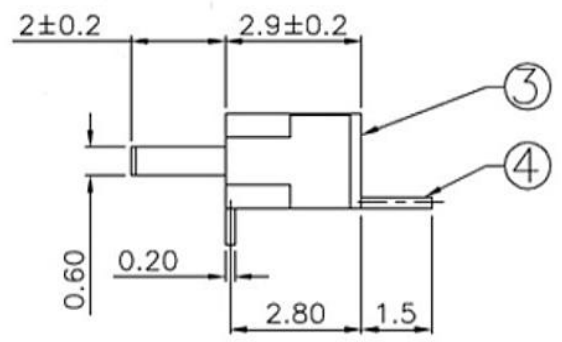
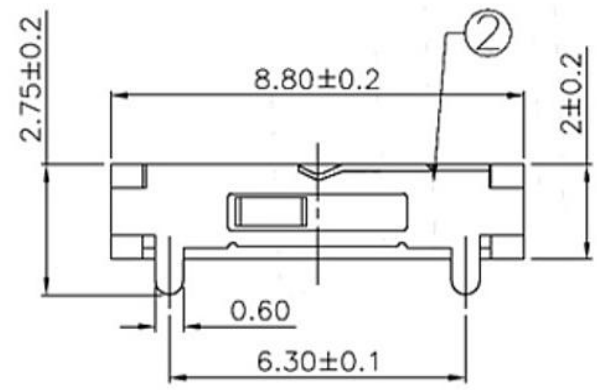


CAD FILE:



PCB Layout(Pattern side)



注: "*"表示关键尺寸(6个)

NO.	PARTS	MATERIALS	Q'TY	FINISH	TOLERANCE		DATE		DESCRIPTIONS OF REVISION		APPD.
8					UNLESS SPECIFIED						
7	STEEL BALL	STEEL	1	NATURAL	WITHIN		A	2012-10-26	初版		
6	SPRING	STEEL WIRE	1	NATURAL	OVER		ISSUE	DATE			
5	CONTACT CLIP	PBS STRIP	2	Ag PLATED	TITLE : SLIDE SWITCH			UNIT : mm	DRWG NO.:		
4	TERMINAL	BRASS STRIP	8	Ag PLATED	MODEL:			SCALE: 3:1	DWN.		2012-10-26
3	BASE	PHENOLIC RESIN	1	NATURAL	东莞市高迪电子有限公司 DONGGUAN GAODI ELECTRONICS CO., LTD.			APPD.		2012-10-26	
2	FRAME	STEEL STRIP	1	Ni PLATED				CHK'D			
1	KNOB	POM	1	BLACK				APPD.			