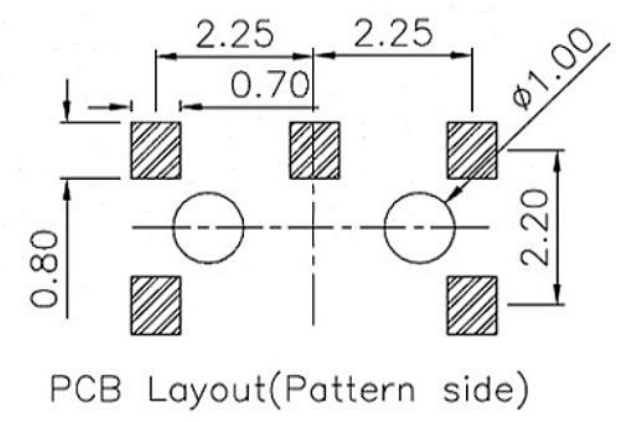
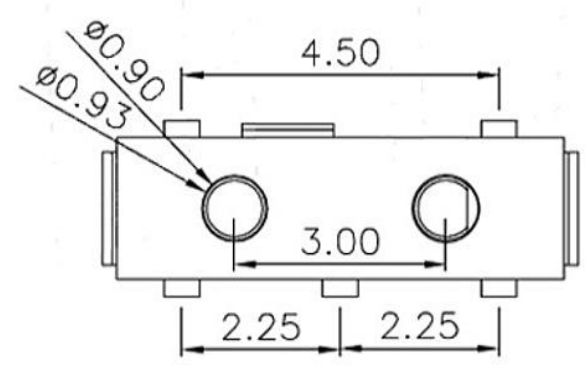
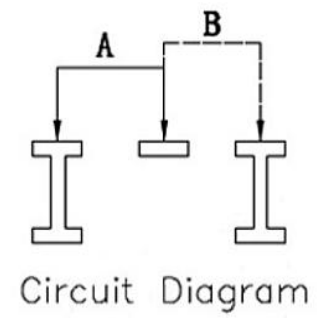
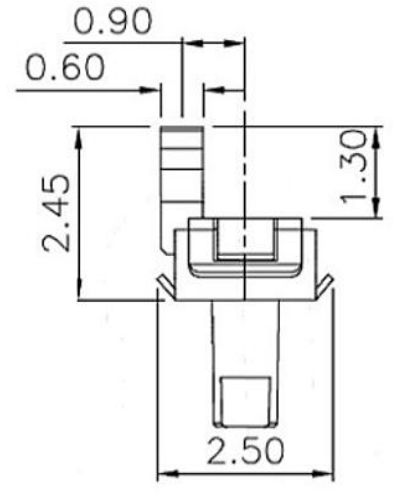
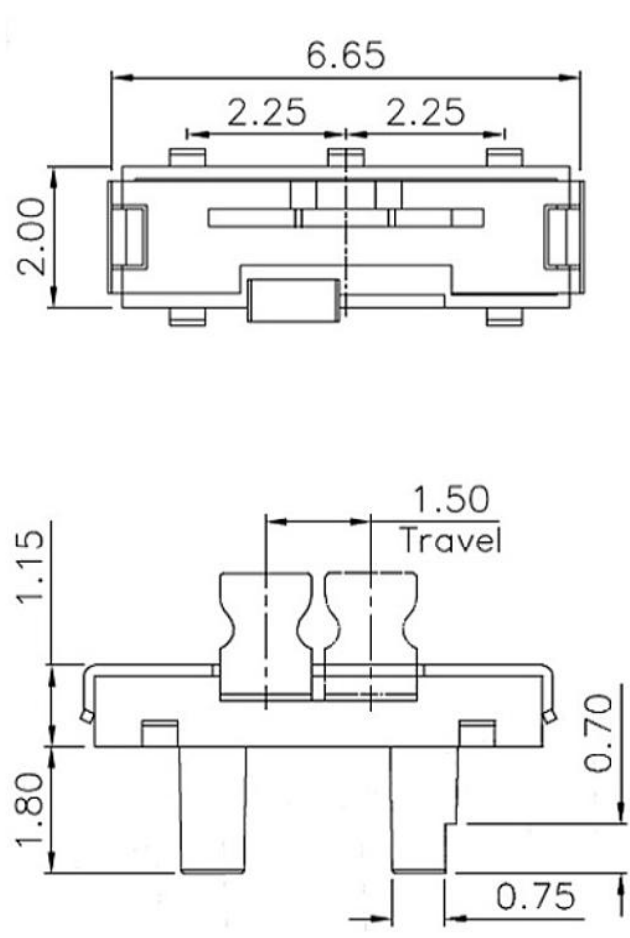


CAD FILE:



注: "\*"表示关键尺寸(6个)

NO.	PARTS	MATERIALS	Q'TY	FINISH	TOLERANCE UNLESS SPECIFIED			DESCRIPTIONS OF REVISION					
8													
7	STEEL BALL	STEEL	1	NATURAL	WITHIN OVER			初版					
6	SPRING	STEEL WIRE	1	NATURAL									
5	CONTACT CLIP	PBS STRIP	2	Ag PLATED	A			2012-10-26					
4	TERMINAL	BRASS STRIP	8	Ag PLATED	ISSUE			DATE					
3	BASE	PHENOLIC RESIN	1	NATURAL	TITLE : SLIDE SWITCH			UNIT : mm					
2	FRAME	STEEL STRIP	1	Ni PLATED									
1	KNOB	POM	1	BLACK	MODEL:			SCALE: 3:1					
					<b>東莞市高迪電子有限公司</b> DONGGUAN GAODI ELECTRONICS CO., LTD.			DRWG NO.:					
								DWN.			2012-10-26		
								CHK'D			2012-10-26		
								APPD.					