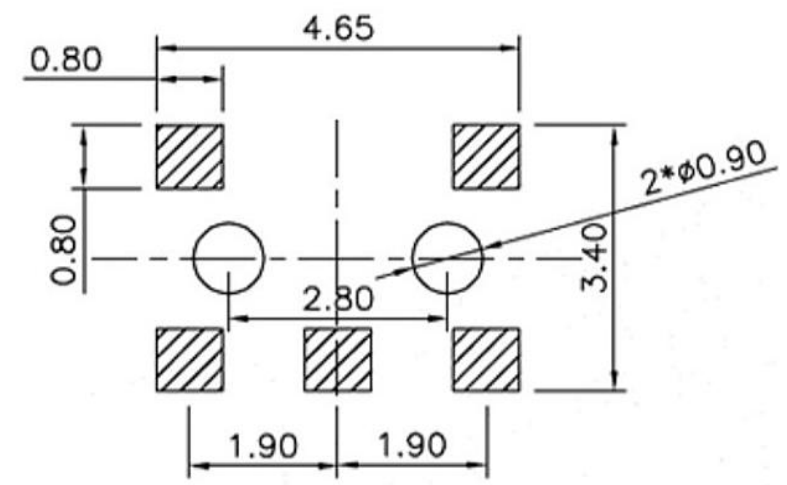
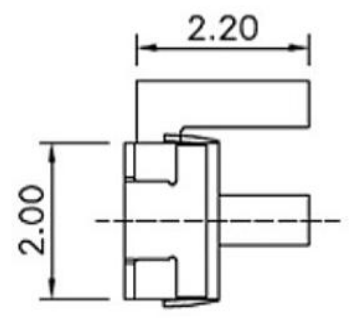
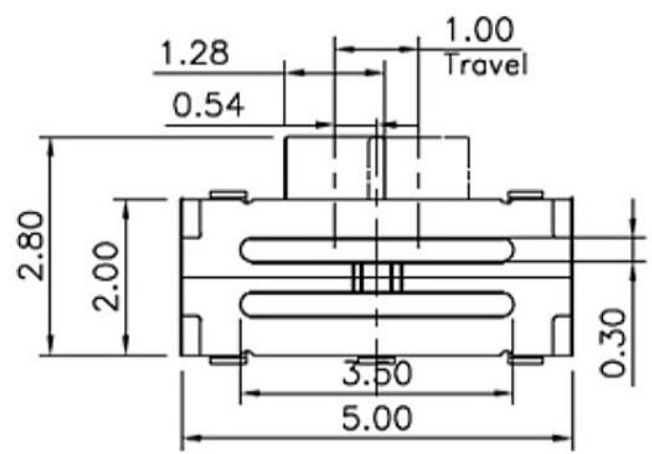
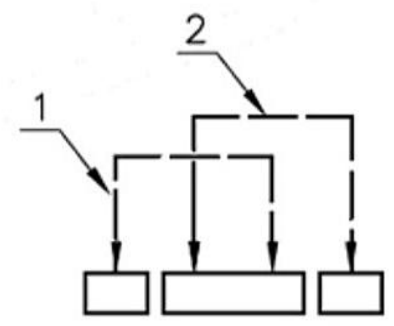
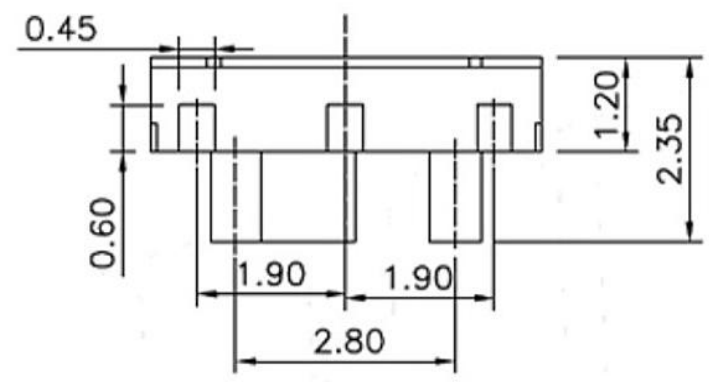


CAD FILE:



P.C.B layout



Schematic(Shorting)

注: "*"表示关键尺寸(6个)

NO.	PARTS	MATERIALS	Q'TY	FINISH	TOLERANCE		DATE		DESCRIPTIONS OF REVISION		APPD.
8					UNLESS SPECIFIED						
7	STEEL BALL	STEEL	1	NATURAL	WITHIN		A	2012-10-26	初版		
6	SPRING	STEEL WIRE	1	NATURAL	OVER		ISSUE	DATE			
5	CONTACT CLIP	PBS STRIP	2	Ag PLATED	TITLE : SLIDE SWITCH				UNIT : mm	DRWG NO.:	
4	TERMINAL	BRASS STRIP	8	Ag PLATED	MODEL:				SCALE: 3:1	DWN.	2012-10-26
3	BASE	PHENOLIC RESIN	1	NATURAL	东莞市高迪电子有限公司 DONGGUAN GAODI ELECTRONICS CO., LTD.				APPD.	2012-10-26	
2	FRAME	STEEL STRIP	1	Ni PLATED					CHK'D		
1	KNOB	POM	1	BLACK					APPD.		