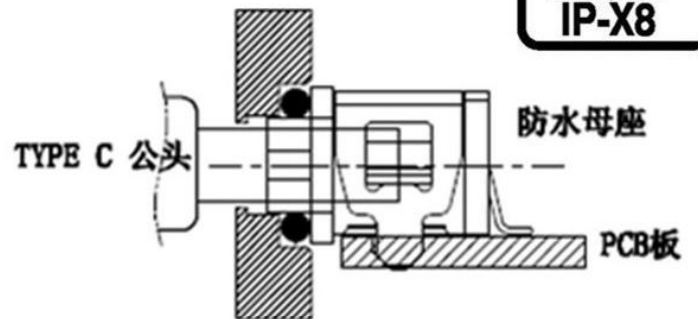
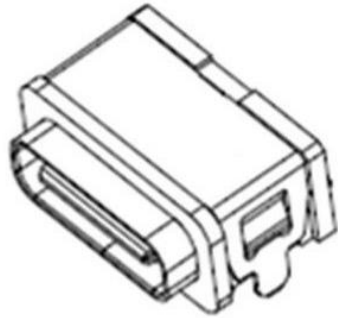
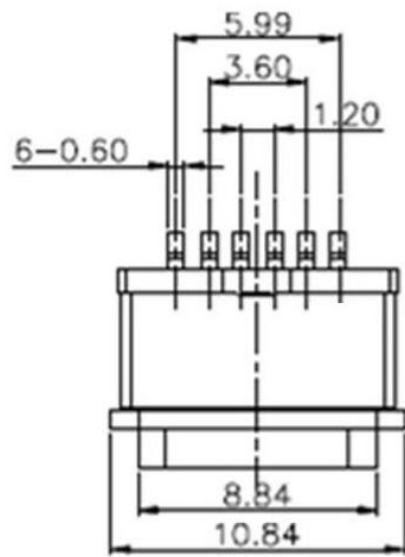
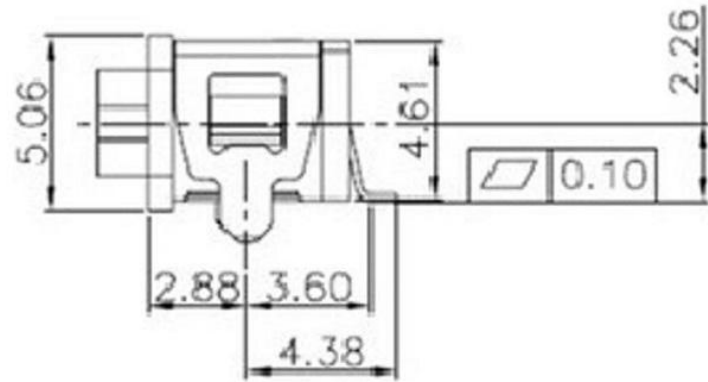
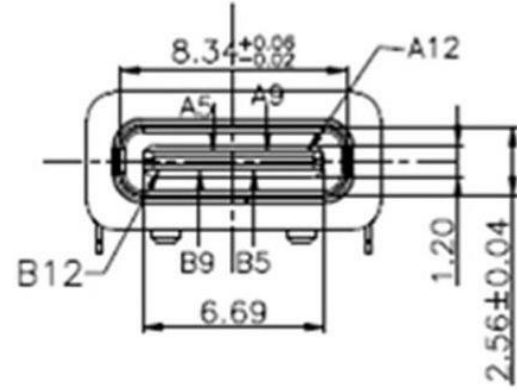


REV.	ECN. NO.	APPD.



组装示意图



NOTES:  
SPECIFICATION:

1. CURRENT RATING: 3.0A MAX
2. DIELECTRIC WITHSTAND VOLTAGE: 100VAC
3. TEMPERATURE RANGE: -30 °C ~ 85 °C
4. CONTACT RESISTANCE: 40 MILLIONHM MAX
5. INSULATION RESISTANCE: 100 MEGOHMS MIN.
6. INSERTION FORCE :8N~35N
7. UNMATING FORCE: 8N~35N
8. DURABILITY:1500 CYCLES

3	Shell	1	SUS 301 1/4H	
3	PLASTIC Shell	1	PA9T&LCP (G.F30%)	
2	Contact	4	BRASS C2680-EH Au/Ni Plating T=0.25mm	
1	Housing	1	PA10T (G.F30%)	
ITEM	PART NAME	Q'TY	FINISH	NOTE

X. ±0.50	X* ±2*	UNITS	东莞市高迪电子有限公司 DONGGUANGAODI ELECTRONICS CO.,LTD.	
.X ±0.30	.X* ±1*	mm		
.XX ±0.10	.XX* ±0.5*	MAT'L	PART NO.	
.XXX ±0.05			TITLE: IP68	
THESE DRAWINGS AND SPECIFICATIONS ARE THE PROPERTY OF E-ZONE ELECTRONIC TECHNOLOGY CO.,LTD.AND SHALL NOT BE REPRODUCED, COPIED OR USED IN ANY MANNER WITHOUT THE PRIOR WRITTEN CONSENT OF E-ZONE ELECTRONIC TECHNOLOGY CO., LTD.			APPD: RADDM	
			FINISH	DWG NO: <b>USB connector</b>
			Q'TY	CHKD: MARK
			DR: JANE CHOU 2019/07/11	
			SCALE SHEET REV. 1/1 1/2 A2	