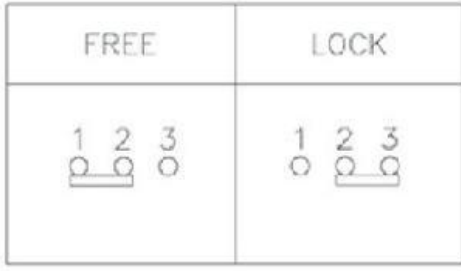
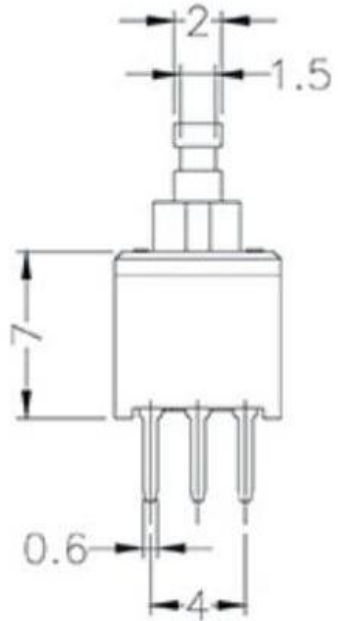
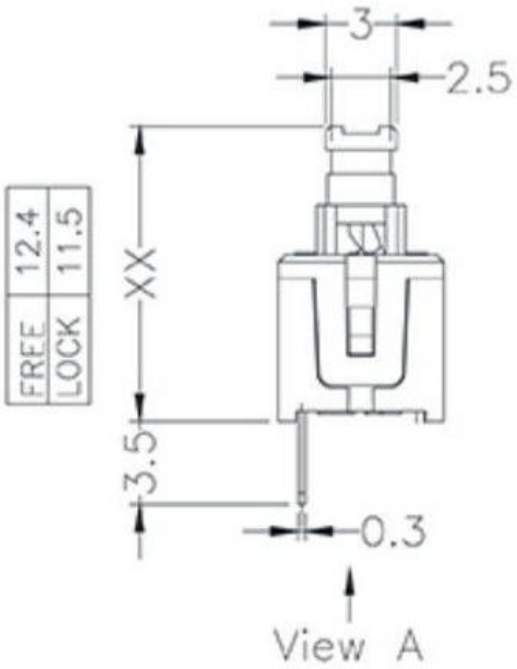
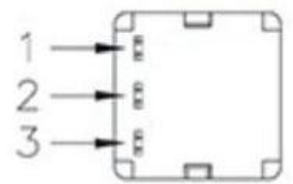
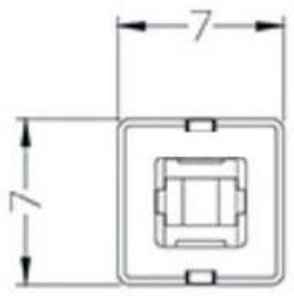




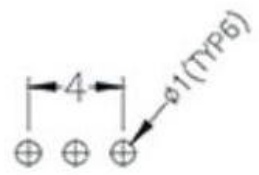
NOTE:  
 1. : SELF-LOCK  
 2. :NON-LOCK



SCHEMATIC



view A  
scale 1:1



P.C.B MOUNTING PATTERN

SPECIFICATIONS

1. Rating : DC 30V 0.1A
2. Circuit : 2P2T
3. Timing : Non-Shorting
4. Operating force : 160 ± 50gf
5. Life test : 10,000 cycles

NO.	DESCRIPTION	QTY	MATERIAL	REMARK
6	CONTACT(CLIP)	2	PHOSPHOR BRONZE	Ag-Plated
5	SPRING	1	STEEL	
4	TERMINAL	6	BRASS	Ag-Plated
3	BOTTOM CASE	1	PA66	BLACK
2	COPING CASE	1	PA66	WHITE
1	KNOB	1	POM	GREEN

ITEM NO	DESCRIPTION	DRAWN	DATE
2	新增SPEC	Jack	102915
1	新增PIN編號	Jack	101215


**东莞市高迪电子有限公司**  
 Dong Guan KDRR Electronic Switch Jack Co., Ltd.

TOLERANCE UNLESS OTHERWISE STATED:
 

Up to 5	±0.2
Above 5 - 15	±0.3
Above 15 - 30	±0.4
Above 30 - 50	±0.5
Angle	±0.3°

3RD. ANGEL'S  UNITS MM

DRAWN BY:	DATE	MAT'L	TITLE	SWITCH
Jack Lu	10/23/15			
CHECKED BY:	DATE	FINISH	MODLE	PUSH SWITCH
Jacky Chen	10/23/15			
APPROVED BY:	DATE	SCALE	DWG NO.	SIZE
Tony Kao	10/23/15	1:1		A4
		SHEET NO.	PART NO.	VER
		1 of 1		R2