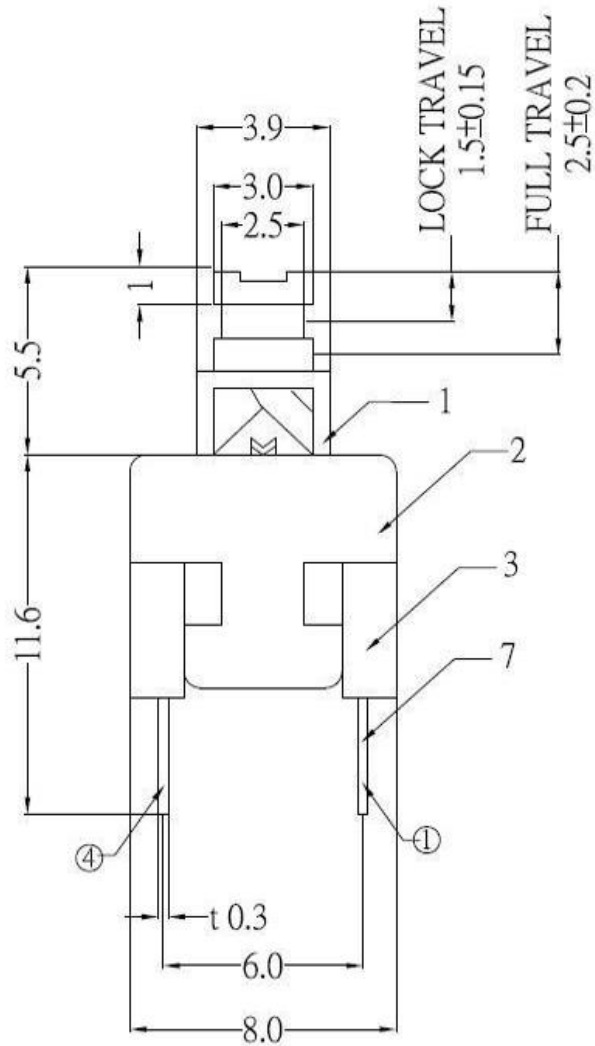


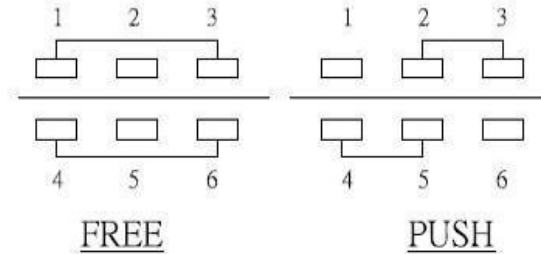
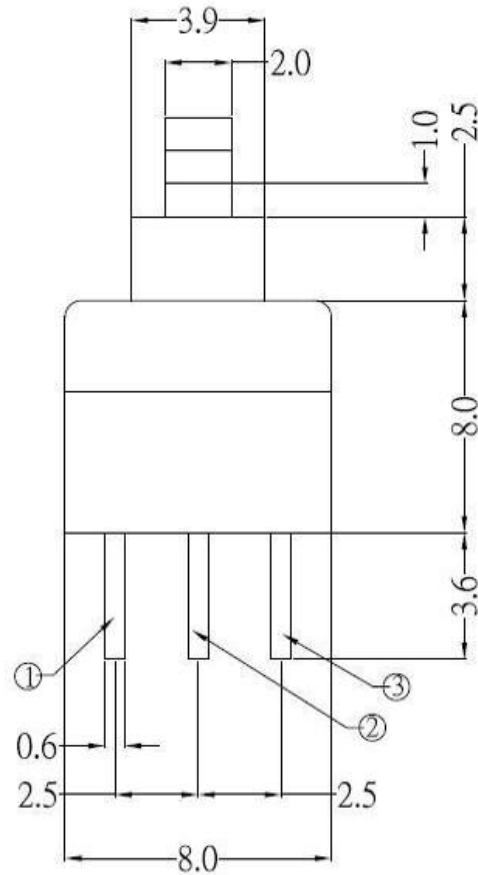


### DIMENSIONS

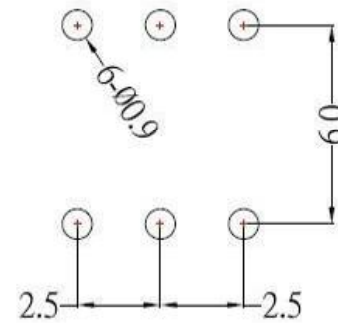


### NOTE:

- 1. : SELF- LOCK ;
- 2. :NON-LOCK



### SCHEMATIC



### SPECIFICATIONS

- 1.Rating : DC 30V 0.2A
- 2.Circuit : 2P2T
- 3.Timing : Non-Shorting
- 4.Operating force : 180 ± 50gf
- 5.Life test : 10,000 cycles

### P.C.B MOUNTING PATTERN

NO.	DESCRIPTION	QTY	MATERIAL	REMARK
7	TERMINAL	6	BRASS	Ag-Plated
6	CONTACT	1	PHOSPHOR BRONZE	Ag-Plated
5	SPRING	1	SUS	NATURAL
4	CAM STICK	1	SUS WIRE	NATURAL
3	CASE	1	PBT	BLACK
2	COVER	1	POM	WHITE
1	KNOB	1	POM	BLUE

ITEM NO	DESCRIPTION	DRAWN	DATE
6	新增SPEC	Jack	102315
5	更新SCHEMATIC	Jack	040814
4	更新PIN編號	Jack	085013
3	尺寸更新	Jack	061313
2	新增尺寸	Jack	060713
1	更新材質	Jack	052813



**东莞市高迪电子有限公司**  
Dong Guan KDRR Electronic Switch Jack Co., Ltd.

TOLERANCE UNLESS OTHERWISE STATED:	Up to 5 ±0.2 Above 5 ~ 15 ±0.3 Above 15 ~ 30 ±0.4 Above 30 ~ 50 ±0.5 Angle ±0.3°	3RD. ANGEL'S		UNITS	MM
------------------------------------	--	--------------	--	-------	----

DRAWN BY:	DATE	MAT'L		TITLE	SWITCH
Jack Lu	10/23/15			MODLE	PUSH SWITCH
CHECKED BY:	DATE	FINISH		SCALE	1 : 1
Jacky Chen	10/23/15			DWG NO.	
APPROVED BY:	DATE	SHEET NO.	1 of 1	PART NO.	
Tony Kao	10/23/15				