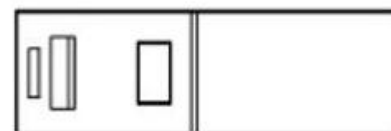
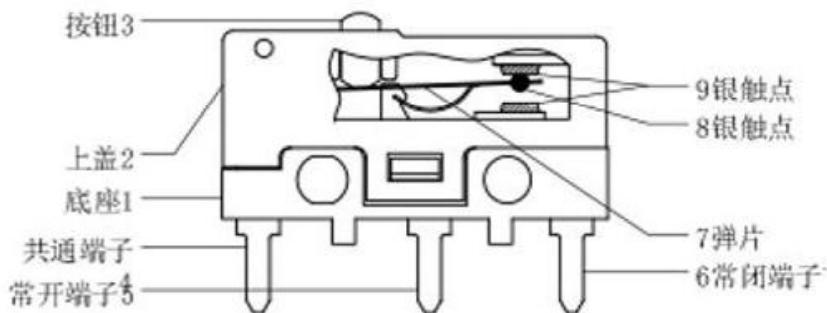
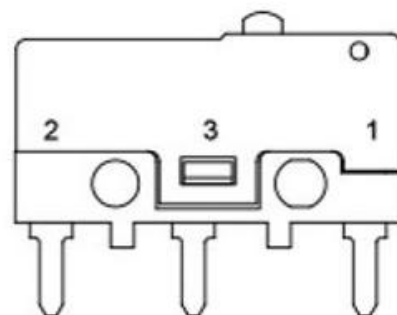
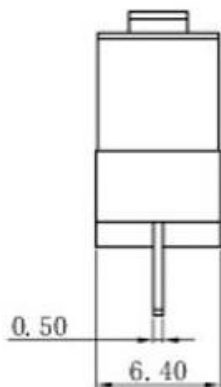
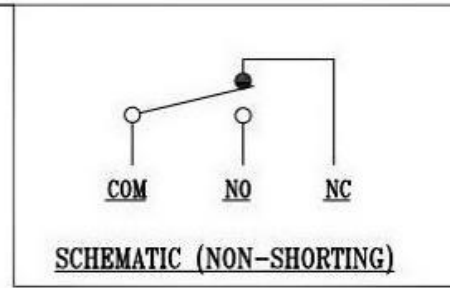
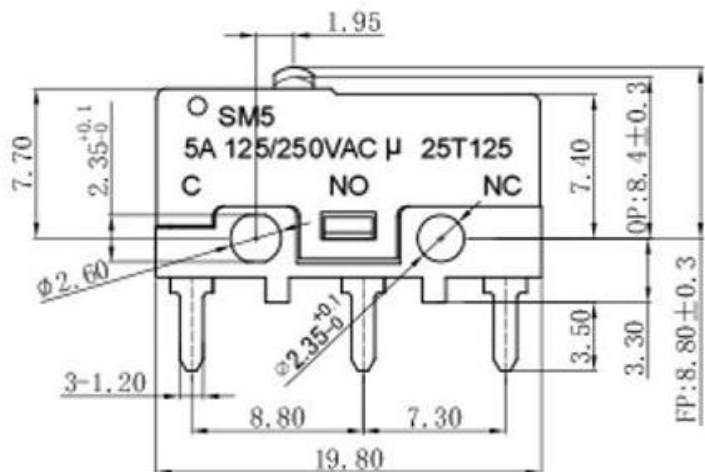


CAD FILE:



NO.	PARTS	MATERIALS	Q'TY	FINISH	TOLERANCE UNLESS SPECIFIED	ISSUE	DATE	DESCRIPTIONS OF REVISION	APPD.
7	PLASTIC HANDLE	PA66	1	BLACK	WITHIN 1.5mm : ±0.1mm	A		初版	
6	CONTACT	AG	1	NATURAL	OVER 1.5mm : ±0.2mm				
5	SHRAPNEL	PBS	1	NATURAL	TITLE : MICRO SWITCH				UNIT : mm
4	KNOB	PA9T	1	BLACK	MODEL:				SCALE: 3:1
3	COVER	PA66	1	BLACK	東莞市高迪電子有限公司				DRWG NO.:
2	BASE	PA9T	1	BLACK					DWN. 刘工 2008.6.8
1	TERMINAL	BRASS STRIP	3	Ag PLATED					CHK'D 戴海明 2008.6.8
									APPD. 林小姐 2008.6.8