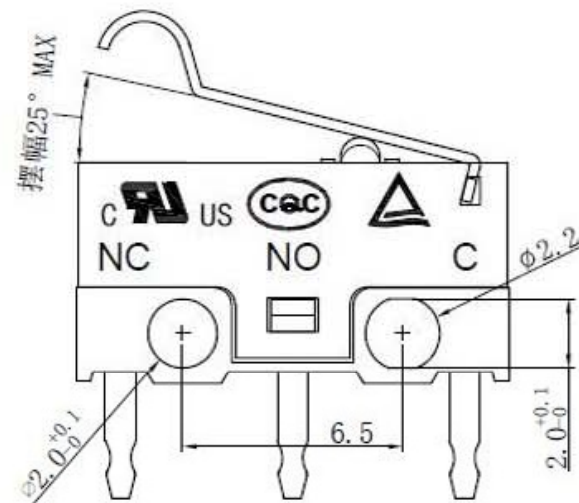
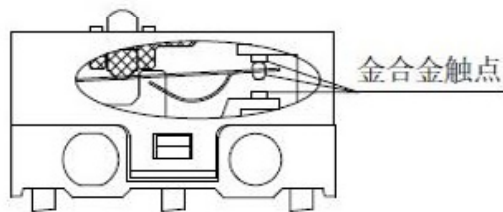
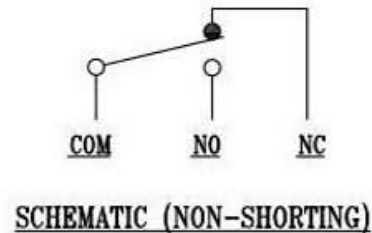
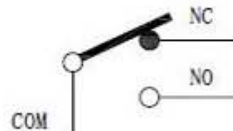
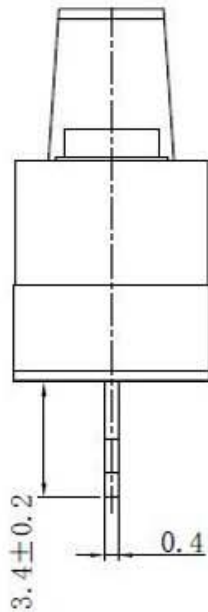
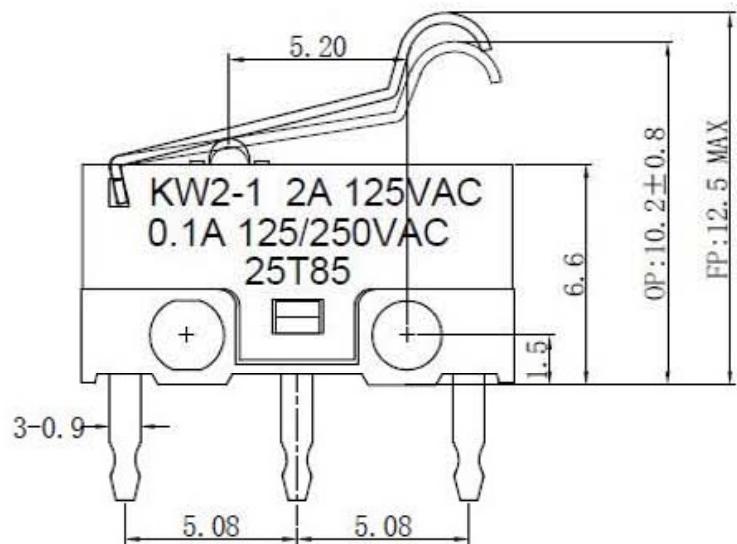
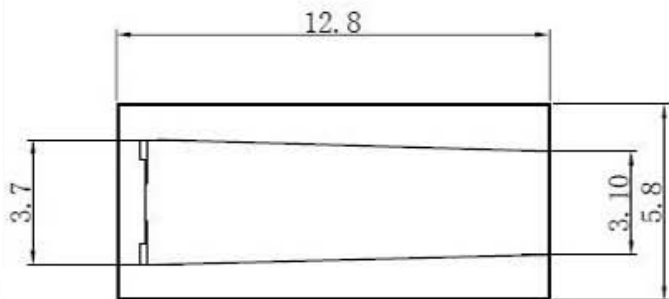


CAD FILE:



注：“\*”□表示关键尺寸(4个).

NO.	PARTS	MATERIALS	Q'TY	FINISH	TOLERANCE UNLESS SPECIFIED					
7	PLASTIC HANDLE	PA66	1	BLACK						
6	CONTACT	AG	1	NATURAL	WITHIN 1.5mm : ±0.1mm	A			初版	
5	SHRAPNEL	PBS	1	NATURAL	OVER 1.5mm : ±0.2mm	ISSUE	DATE	DESCRIPTIONS OF REVISION	APPD.	
4	KNOB	PA9T	1	BLACK	TITLE : MICRO SWITCH				UNIT : mm	DRWG NO.:
3	COVER	PA66	1	BLACK	MODEL:				SCALE: 3:1	DWN. 刘工 2008.6.8
2	BASE	PA9T	1	BLACK	東莞市高迪電子有限公司				CHK'D 戴海明 2008.6.8	
1	TERMINAL	BRASS STRIP	3	Ag PLATED					APPD. 林小姐 2008.6.8	