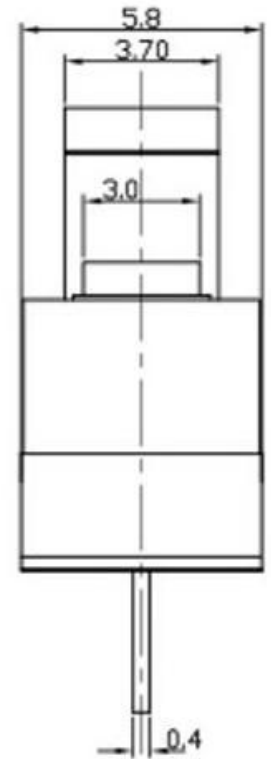
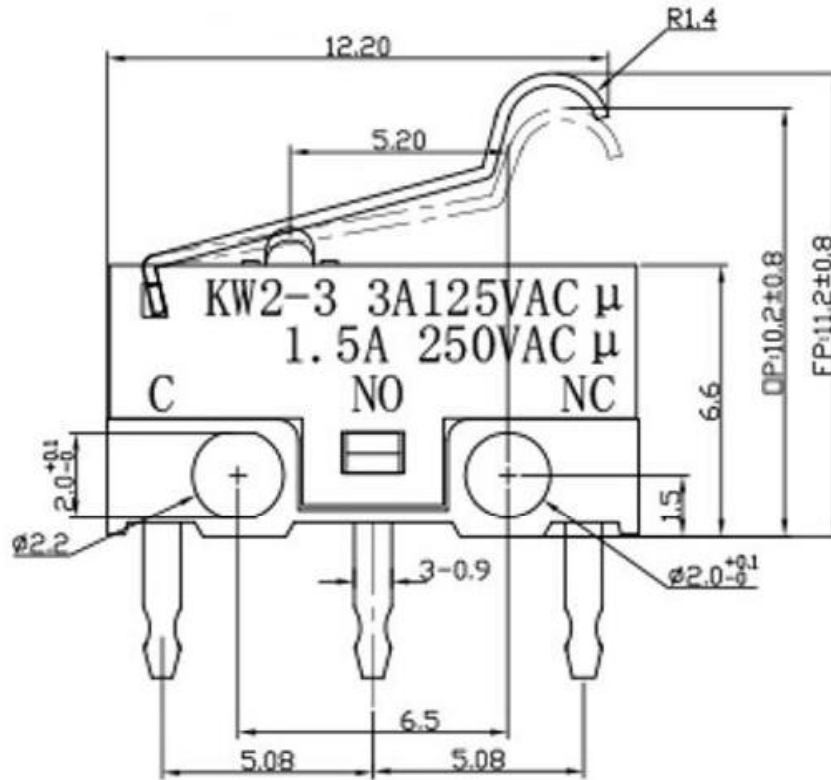
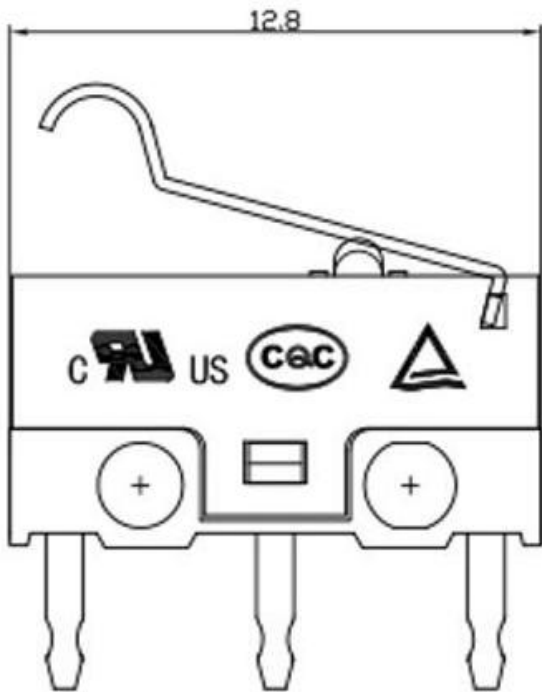
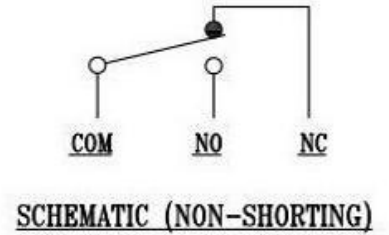
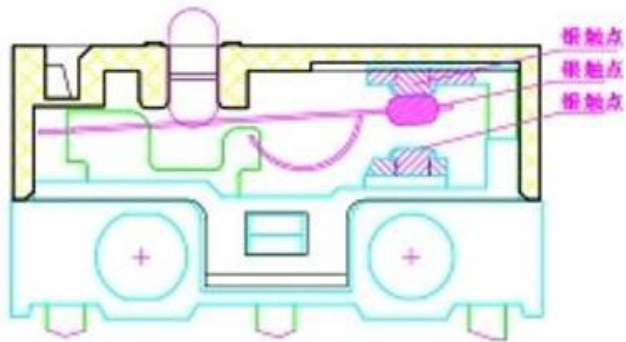


CAD FILE:



注：“*”口表示关键尺寸(4个)。

NO.	PARTS	MATERIALS	Q'TY	FINISH	TOLERANCE UNLESS SPECIFIED						
7	PLASTIC HANDLE	PA66	1	BLACK							
6	CONTACT	AG	1	NATURAL							
5	SHRAPNEL	PBS	1	NATURAL	WITHIN 1.5mm : ±0.1mm	A				初版	
4	KNOB	PA9T	1	BLACK	OVER 1.5mm : ±0.2mm	ISSUE	DATE	DESCRIPTIONS OF REVISION		APPD.	
3	COVER	PA66	1	BLACK	TITLE : MICRO SWITCH			UNIT : mm	DRWG NO.:		
2	BASE	PA9T	1	BLACK	MODEL:			SCALE: 3:1	DWN.	刘工	2008.6.8
1	TERMINAL	BRASS STRIP	3	Ag PLATED	東莞市高迪電子有限公司			APPD.	戴海明	2008.6.8	
											林小姐