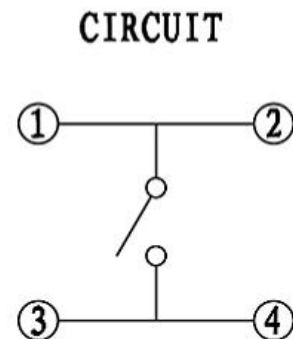
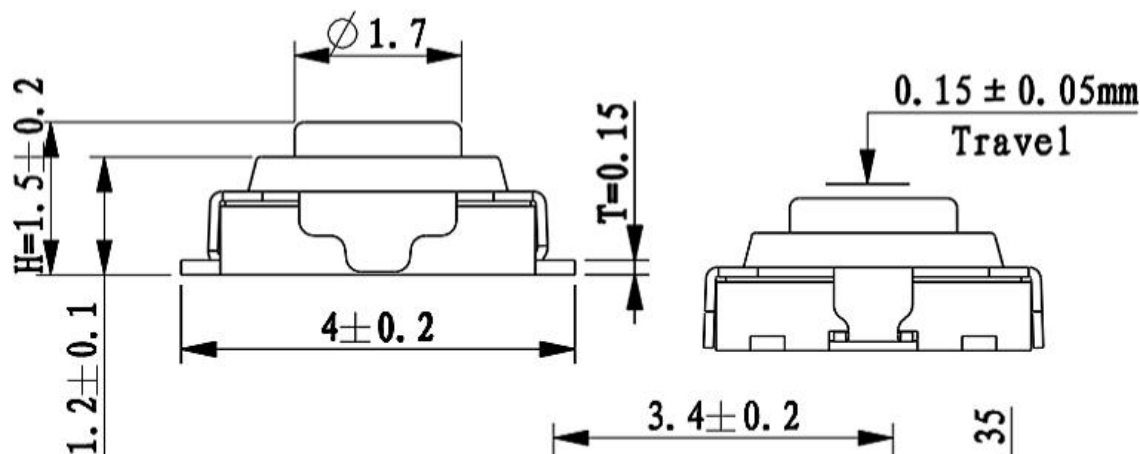
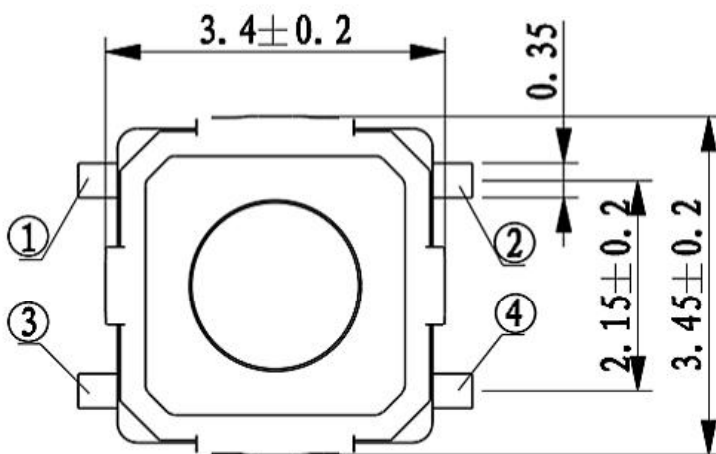
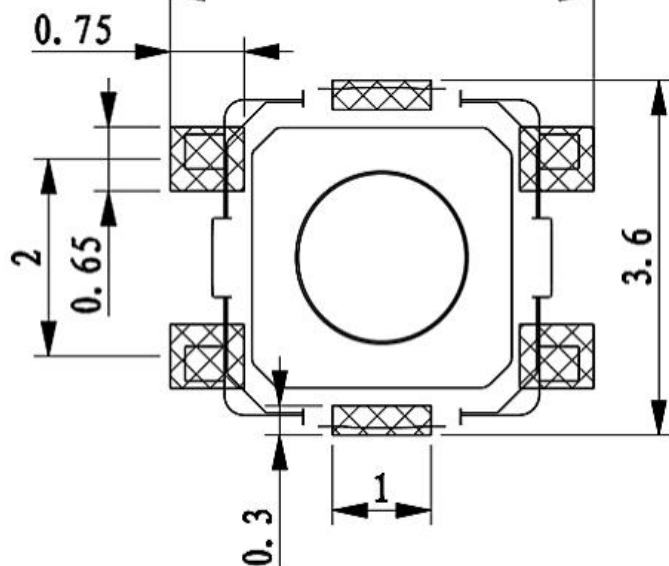




H (mm)
1.5
2.0

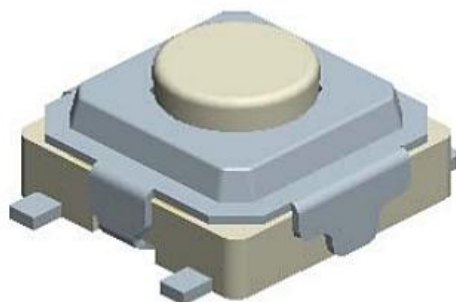


P. C. B LAYOUT  
4.3



### 技术参数

1. 额定电流: 50mA 12VDC
2. 接触电阻: 100mΩ
3. 按 力: 260 ± 50gf
4. 行 程: 0.15 ± 0.05mm
5. 绝缘电阻: 100MΩ
6. 抗电强度: 100v 50Hz 1Min
7. 寿 命: 100,000 次



NO.	DESCRIPTION	QTY	MATERIAL	PLATING
E	TERMINAL	3	PHOSPHOR BRONZE	Ag plated
D	CONTACT	2	SUS	Ag plated
C	COVER	1	PHOSPHOR BRONZE	Ag plated
B	BASE	1	PA6T	Black
A	STEM	1	PPA	White

7	新增尺寸	Jack	010318
6	更新画面尺寸	Jack	112317
5	更新PCB LAYOUT模式及尺寸	Jack	020317
4	更新PCB LAYOUT模式	Jack	011717
3	更新SPEC及材質	Jack	061515
2	更新尺寸標示	Jack	050615
1	新增PIN編號	Jack	020315
ITEM NO.	DESCRIPTION	DRAWN	DATE



东莞市高迪电子有限公司

Dong Guan KDRR Electronic Switch Jack Co., Ltd.

TOLERANCE UNLESS OTHERWISE STATED:  
 Up to 5 ±0.2  
 Above 5 - 15 ±0.3  
 Above 15 - 30 ±0.4  
 Above 30 - 50 ±0.5  
 Angle ±0.3

3RD. ANGEL'S



UNITS MM

DRAWN BY:	DATE	MAT'L	TITLE	SWITCH
Jack Lu	01/03/18			
CHECKED BY:	DATE	FINISH	MODLE	TACT SWITCH
Jacky Chen	01/03/18			
APPROVED BY:	DATE	SCALE	DWG NO.	SIZE
Tony Kao	01/03/18	1 : 1		A4
		SHEET NO.	PART NO.	VER
		1 of 1		R7