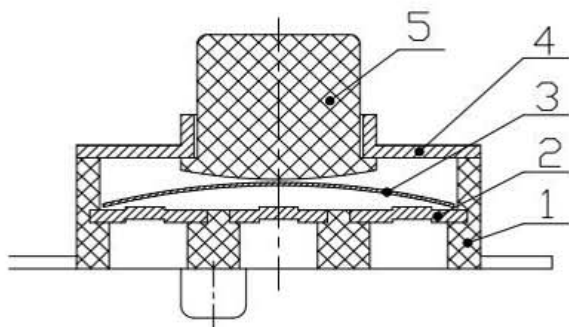


Actuating Force
动作力

1 st: 100 ± 40 gf
2 st: 250 ± 80 gf

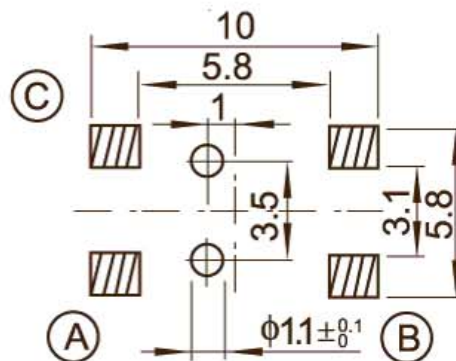
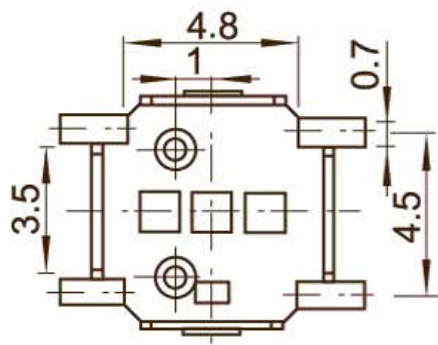


Travel
行程

1 st: 0.3 ± 0.1 mm
2 st: 0.55 ± 0.1 mm

SPECIFICATIONS

Rating	DC 12V 50mA.
Insulation Resistance	50 MΩ Min.
Contact Resistance	100 mΩ Max.



NO.	DESCRIPTION	QTY	MATERIAL	PLATING
E	TERMINAL	3	PHOSPHOR BRONZE	Ag plated
D	CONTACT	2	SUS	Ag plated
C	COVER	1	PHOSPHOR BRONZE	Ag plated
B	BASE	1	PA6T	Black
A	STEM	1	PPA	White

ITEM NO.	DESCRIPTION	DRAWN	DATE
7	新增尺寸	Jack	010318
6	更新画面尺寸	Jack	112317
5	更新PCB LAYOUT模式及尺寸	Jack	020917
4	更新PCB LAYOUT模式	Jack	011717
3	更新SPEC及材質	Jack	061515
2	更新尺寸標示	Jack	050615
1	新增PIN編號	Jack	020915



东莞市高迪电子有限公司

Dong Guan KDRR Electronic Switch Jack Co., Ltd.

TOLERANCE UNLESS OTHERWISE STATED:

Up to 5	±0.2
Above 5 - 15	±0.3
Above 15 - 30	±0.4
Above 30 - 50	±0.5
Angle	±0.3°

3RD. ANGEL'S



UNITS MM

DRAWN BY:	DATE	MAT'L	TITLE	SWITCH
Jack Lu	01/03/18		MODLE	TACT SWITCH
CHECKED BY:	DATE	FINISH	SCALE	1 : 1
Jacky Chen	01/03/18		DWG NO.	
APPROVED BY:	DATE	SHEET NO.	PART NO.	
Tony Kao	01/03/18	1 of 1		

SIZE
A4
VER
R7