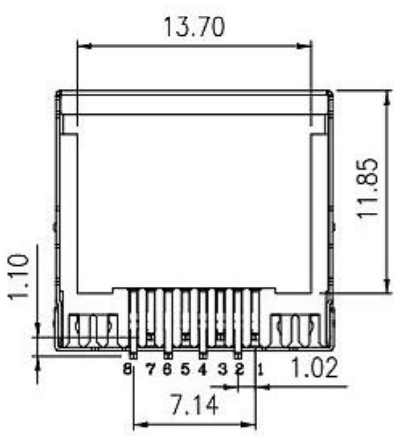


PCB LAYOUT MOUNTING PATTERN



RJ45-58D811E-x-S307

鍍層厚度:

Blank : 1u"
1 : 3u"
2 : 15u"
3 : 30u"
5 : 6u"

SPECIFICATIONS

Electrical:

- 1.Voltage Rating : 125 VAC RMS
- 2.Current Rating : 1.5 A
- 3.Contact Resistance : 30 mΩ MAX
- 4.Insulation Resistance : 1000 MΩ MIN
- 5.Dielectric Strength : 1,000 VAC

Mechanical:

- 1.Housing : LCP
- 2.Contact : Phosphor Bronze , Gold Plating over Nickel
- 3.Shield : Brass , Nickel Plated

Environmental:

- 1.Operation Temperature : -40°C ~ +85°C



东莞市高迪电子有限公司  
Dong Guan KDRR Electronic Switch Jack Co., Ltd.

ITEM NO	DESCRIPTION	DRAWN	DATE
3	更新圖面	Jack	031821
2	更新尺寸	Jack	010620
1	新增鍍層選項	Jack	112019

TOLERANCE UNLESS OTHERWISE STATED:	Up to 3 ±0.2	3RD. ANGEL'S	UNITS	MM
	Above 3 - 15 ±0.3			
	Above 15 - 30 ±0.4			
	Above 30 - 80 ±0.5			
	Angle ±0.3°			

DRAWN BY:	DATE	MATL	TITLE	RJ45
Jack Lu	03/18/21			
CHECKED BY:	DATE	FINISH	MODLE	RJ45 8P8C 沉板式4.2 mm DIP
Jacky Chen	03/18/21			
APPROVED BY:	DATE	SCALE	DWG NO.	RJ45-58D811E-x-S307
Tony Kao	03/18/21	1 : 1		
		SHEET NO.	PART NO.	RJ45-58D811E-x-S307
		1 of 1		
			SIZE	A4
			VER	R3