

**SPEC:**

**A. Material:**

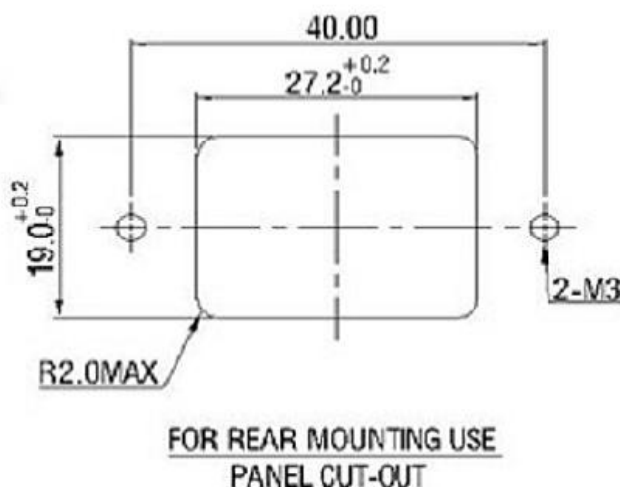
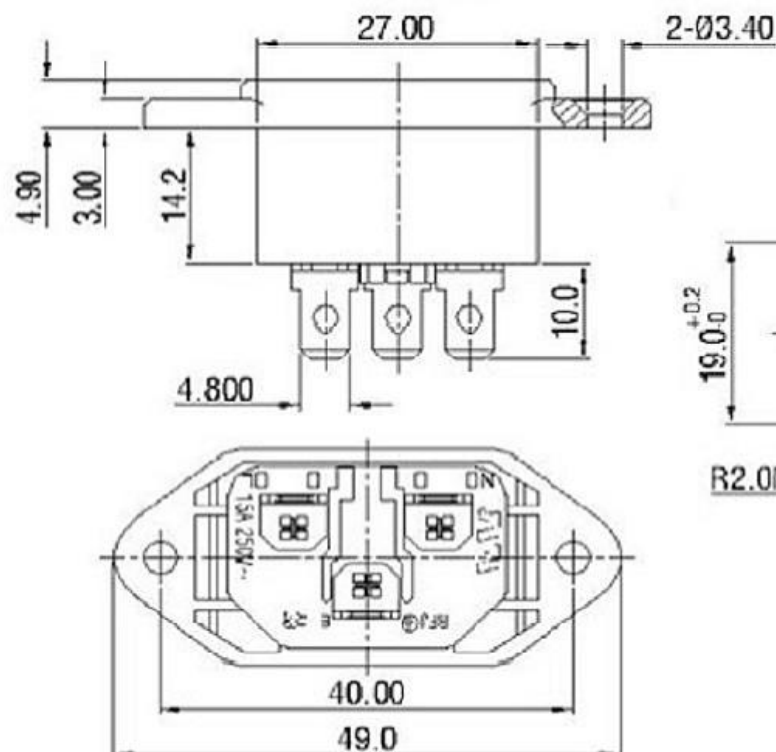
1. Housing: PBT WITH G/F30% UL 94V-0
2. Terminal: COPPER ALLOY, TIN PLATED

**B. Electrical Characteristics:**

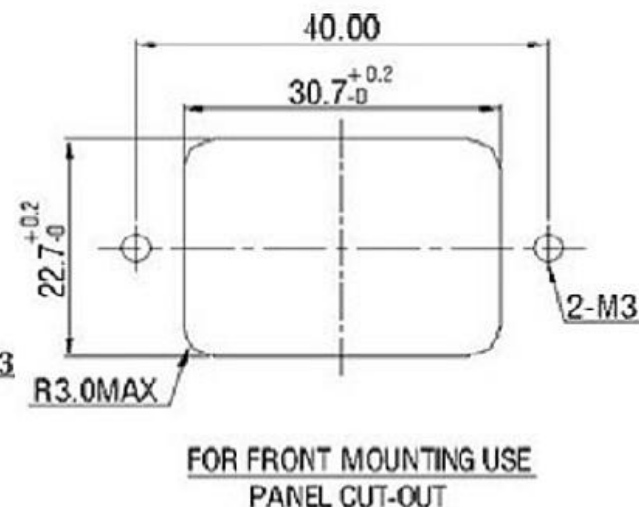
1. Rating: 15A 250V~ (UL, CUL)
- 10A 250V~ (CCC, VDE, SEMKO, NEMKO, FIMKO, DEMKO, SAA, KC)
2. Electric Strength: AC 2,000 V FOR ONE MINUTE
3. Insulation Resistance: 100MΩ MIN, AT 500V DC

**C. Approvals:**

UL, CUL, CCC, VDE, SEMKO, NEMKO, FIMKO, DEMKO, SAA, KC



FOR REAR MOUNTING USE  
PANEL CUT-OUT



FOR FRONT MOUNTING USE  
PANEL CUT-OUT

普通公差  
COMMON TOLERANCE :

UP TO 5	±0.20
ABOVE 5 TO 30	±0.30
ABOVE 30	±0.50
ANGULAR	±5°



东莞市高迪电子有限公司

REV.	DATE	REVISION DESCRIPTION	ISSUE	UNIT	mm	投影	品名	AC POWER JACK
				绘图	林晓良	核影	型号	
				日期	19.08.12	核核	料号	KD-AC电源插座
						准准	PART NO.	