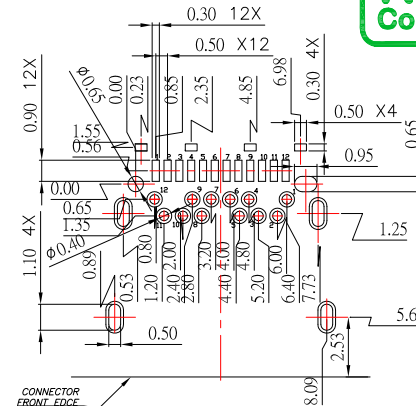
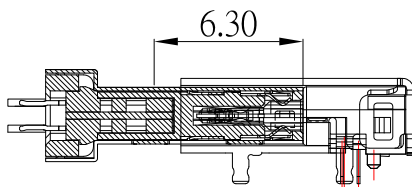
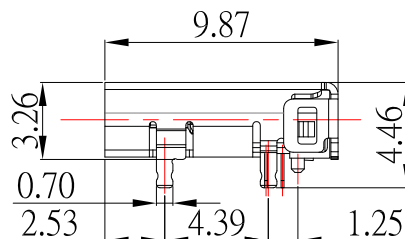
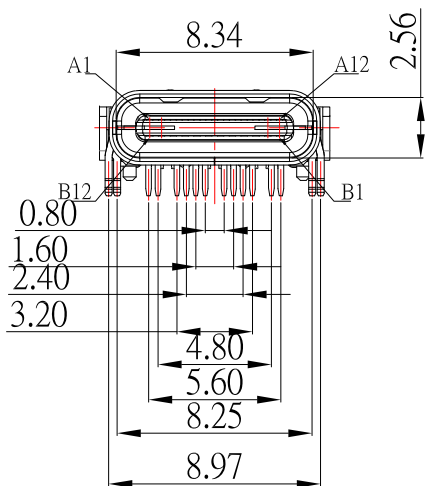
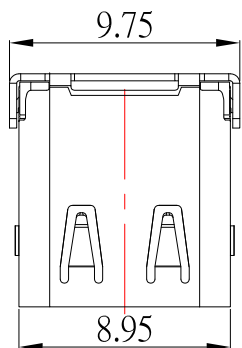




SBC-240S-31x-S271

鍍層厚度：

Blank : 1u"
2 : 15u"
3 : 30u"



P.C.B LAYOUT MOUNTING PATTERN

SPECIFICATIONS

Electrical:

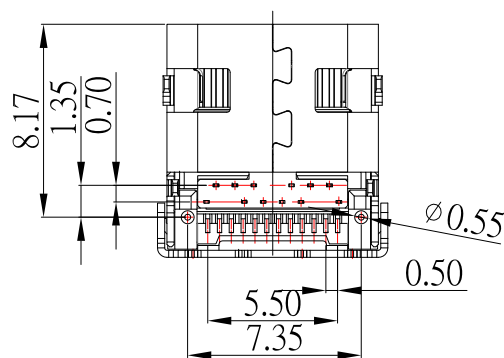
- 1.Rating: 3.0A
- 2.Contact Resistance: 40 mΩ Max
- 3.Insulation Resistance: 100 MΩ Min
- 4.Withstanding Voltage: 100V AC

Material:

- 1.Housing: LCP
- 2.Contact: Copper Alloy
- 3.Shell: SUS

Finish:

- 1.Contact: Plated Gold in Mating Area ;
Tin Plated on Solder Balls ;
Nickel under plated overall
- 2.Shell: Nickel under Plated surface layer



A1	GND	B12	GND
A2	SSTXP1	B11	SSRXP1
A3	SSTXN1	B10	SSRXN1
A4	VBUS	B9	VBUS
A5	CC1	B8	SBU2
A6	DP1	B7	DN2
A7	DN1	B6	DP2
A8	SBU1	B5	CC2
A9	VBUS	B4	VBUS
A10	SSRXN2	B3	SSTXN2
A11	SSRXP2	B2	SSTXP2
A12	GND	B1	GND
IN	SIGNAL NAMF	PIN	SIGNAL NA



东莞市高迪电子有限公司
Dong Guan KDRR Electronic Switch Jack Co., Ltd.

TOLERANCE UNLESS OTHERWISE STATED:

Up to 5 ±0.2
Above 5 ~ 15 ±0.3
Above 15 ~ 30 ±0.4
Above 30 ~ 50 ±0.5
Angle ±0.3°

3RD. ANGEL'S



UNITS MM

DRAWN BY:	DATE
Jack Lu	05/20/20
CHECKED BY:	DATE
Jacky Chen	05/20/20
APPROVED BY:	DATE
Tony Kao	05/20/20

MAT'L	TITLE	CONNECTOR
FINISH	MODLE	USB 3.1 TYPE C PIN 腳長1.2mm
SCALE	DWG NO.	SBC-240S-31x-S271
SHEET NO.	PART NO.	SBC-240S-31x-S271
SIZE	A4	
VER	R2	

2	新增插入深度尺寸	Jack	052020
1	更新SPEC	Jack	041420
ITEM NO.	DESCRIPTION	DRAWN	DATE