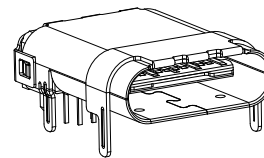
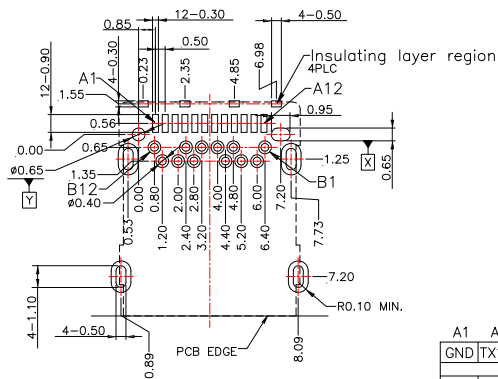
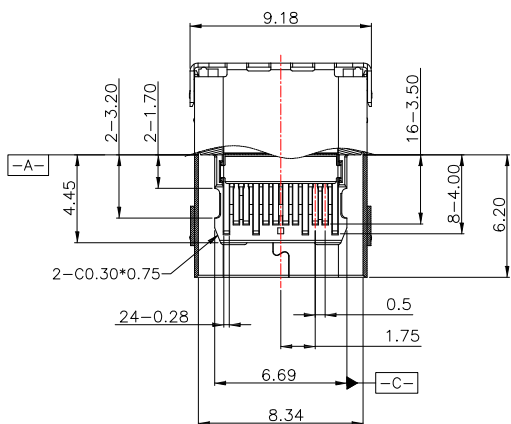




SBC-240S2-31x-S242

鍍層厚度:

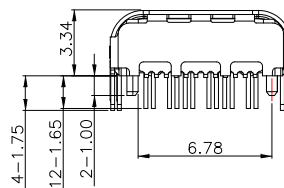
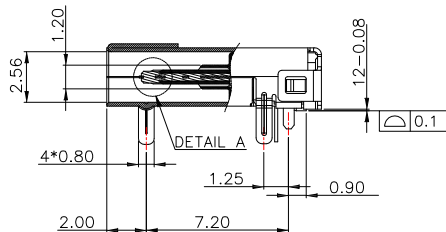
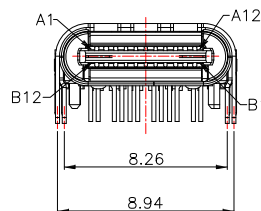
Blank : 1u"
2 : 15u"
3 : 30u"



A1	A2	A3	A4	A5	A6	A7	A8	A9	A10	A11	A12
GND	TX1+TX1-	VBUS	CC1	D+	D-	SBU1	VBUS	RX2-	RX2+	GND	
GND	RX1+RX1-	VBUS	SBU2	D-	D+	CC2	VBUS	TX2-	TX2+	GND	
B12	B11	B10	B9	B8	B7	B6	B5	B4	B3	B2	B1

INTERFACE DEFINITION

P.C.B LAYOUT MOUNTING PATTERN



SPECIFICATIONS

Electrical:

- Current Rating: 5.0A For VBUS Pin
1.25A For VCONN Pin
- Contact Resistance: 40 mΩ Max
- Insulation Resistance: 100 MΩ Min
- Dielectric Withstanding Voltage: 100V AC

Mechanical:

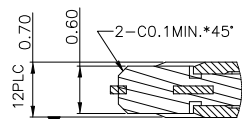
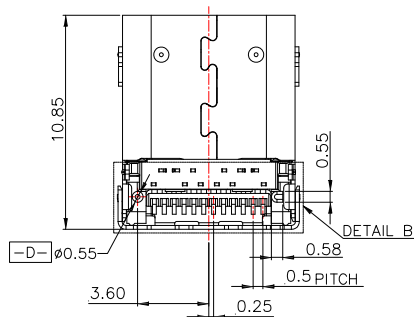
- Connector Mate and Unmate Force
 - Mate force: 5~20 N
 - Unmate force: 8~20 N

Material:

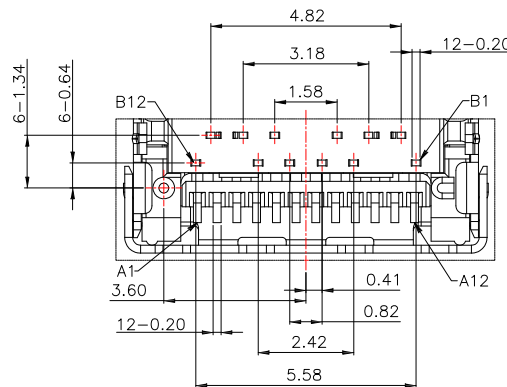
- Housing: LCP,UL 94V-0
- Contact: Phosphor Bronze
- Shell: Stainless Steel

Finish:

- Contact: Plated Gold in Mating Area ;
Tin Plated on Solder Balls ;
Nickel under plated overall
- Shell: Nickel under Plated surface layer



DETAIL A
SCALE 4:1



DETAIL B
SCALE 2:1



东莞市高迪电子有限公司

Dong Guan KDRR Electronic Switch Jack Co., Ltd.

TOLERANCE UNLESS OTHERWISE STATED :

Up to 5 ±0.2
Above 5 ~ 15 ±0.3
Above 15 ~ 30 ±0.4
Above 30 ~ 50 ±0.5
Angle ±0.3°

3RD. ANGEL'S



UNITS

MM

DRAWN BY:	DATE
Jack Lu	08/05/15
CHECKED BY:	DATE
Jacky Chen	08/05/15
APPROVED BY:	DATE
Tony Kao	08/05/15

MAT'L	TITLE	CONNECTOR
FINISH	MODLE	USB 3.1TYPE C PIN腳長:1.6
SCALE	DWG NO.	SBC-240S2-31x-S242
SHEET NO.	PART NO.	SBC-240S2-31x-S242
1 : 1	1 of 1	
	SIZE	A4
	VER	R2

2	新增PCB LAYOUT中PIN的中心線及尺寸	Jack	080515
1	更新料號	Jack	070915
ITEM NO.	DESCRIPTION	DRAWN	DATE