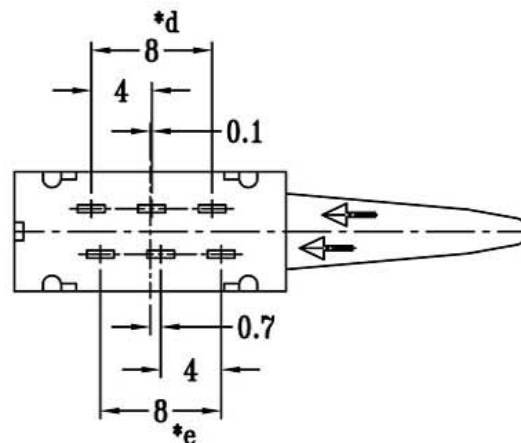
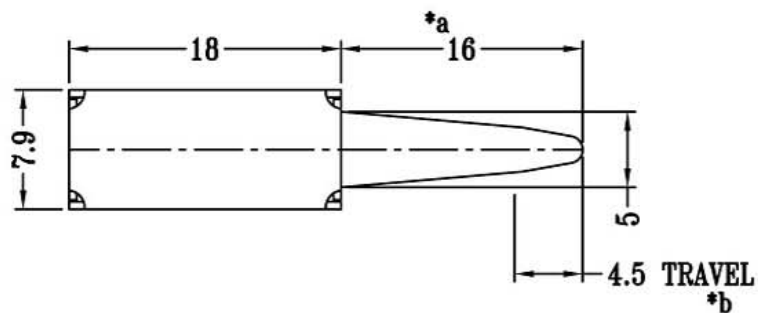
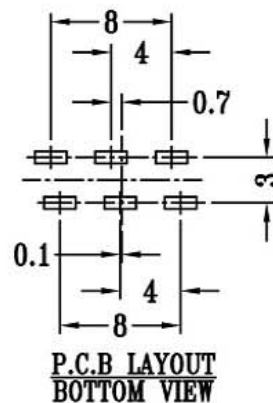


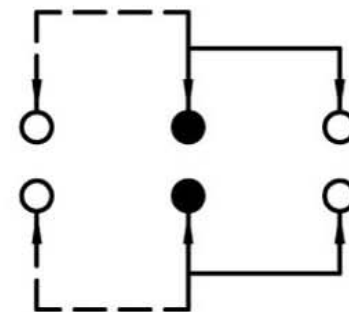
CAD FILE:



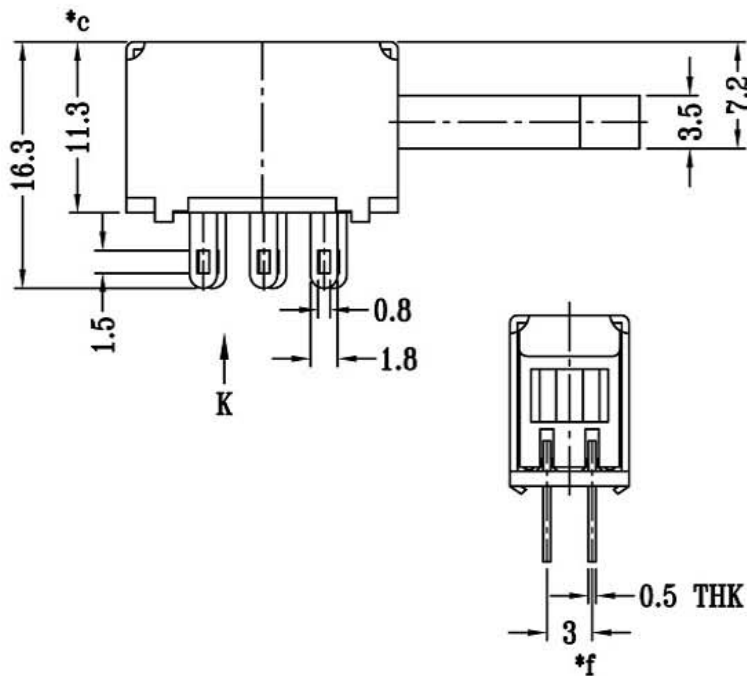
VIEW K



P.C.B LAYOUT
BOTTOM VIEW



SCHEMATIC (NON-SHORTING)



注：“*”表示关键尺寸(6个).

按键开关技术参数:

1. 额定负荷: DC 30V 50V 0.1A 0.5A
2. 接触阻抗: $\leq 50m\Omega$
3. 绝缘阻抗: DC 250V $\geq 100m\Omega$
4. 耐焊温度: $250 \pm 5^\circ$ 5s
5. 使用寿命: 100,000 cycles
6. 使用温度: -25°C to 80°C
7. 使用湿度: $\leq 85\% \text{ RH}$
8. 操作力: $240\text{gf} \pm 80\text{gf}$
9. 功能选择: 复位/常开/常闭
10. 按压力可定制

NO.	PARTS	MATERIALS	Q'TY	FINISH	TOLERANCE UNLESS SPECIFIED	ISSUE	DATE	DESCRIPTIONS OF REVISION	APPD.
8									
7									
6	SPRING	STEEL WIRE	1	NATURAL	WITHIN 1.5mm : $\pm 0.1\text{mm}$	A	2012-11-06	初版	
5	CONTACT CLIP	PBS C5210R-EH	2	Ag CLAD	OVER 1.5mm : $\pm 0.2\text{mm}$	ISSUE	DATE	DESCRIPTIONS OF REVISION	APPD.
4	BASE	PHENOLIC RESIN	1	NATURAL	TITLE : PUSH SWITCH		UNIT : mm	DRWG NO.:	
3	TERMINAL	BRASS STRIP	6	Ag PLATED OVER Ni PLATED	MODEL:		SCALE: 2:1	DWN.	2012-11-06
2	FRAME	Electrolytic strip	1	NATURAL	东莞市高迪电子有限公司			CHK'D	2012-11-06
1	KNOB	PC	1	BLACK				APPD.	2012-11-06