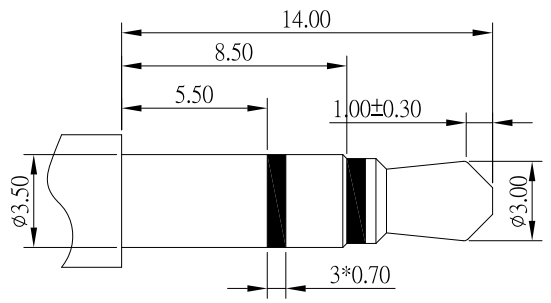
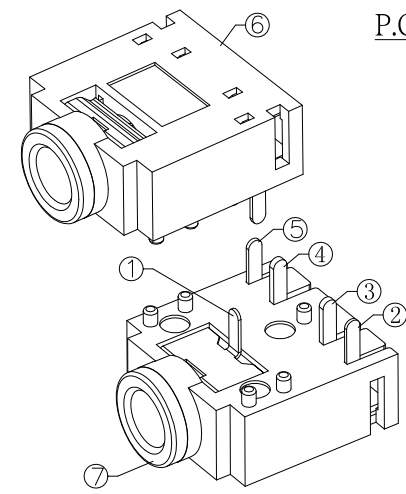
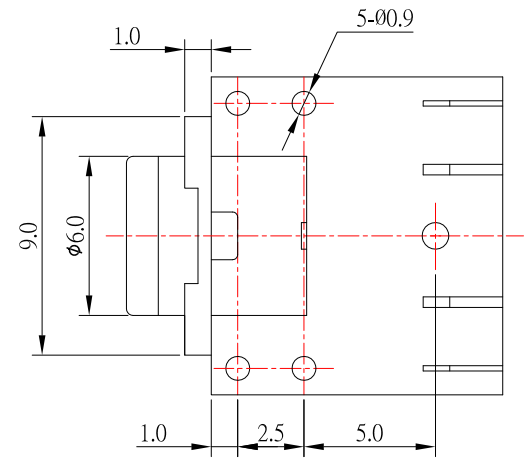


P.C.B LAYOUT
TOP VIEW



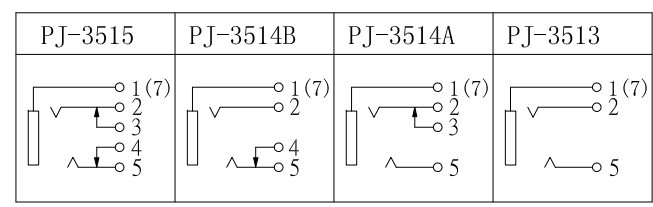
Ø3.50mm 3 POLE PLUG



SPECIFICATION

1. Rating : DC 30V 0.5A ;
2. Contact resistance : ≤ 30mΩ ;
3. Insulation resistance : ≥ 100MΩ ;
4. Withstand voltage : 500VAC ;
5. Insertion and extraction force : 3-20N
6. life test : 5,000 cycles °

SCHEMATIC



NO.	DESCRIPTION	QTY	MATERIAL	PLATING
7	AXIS SUPPORT	1	BRASS	Ni-Plating
6	HOUSING	1	PBT	
5	5# CONTACT FOOT	1	PHOSPHOR BRONZE	Sn-Plating
4	4# CONTACT FOOT	1	BRASS	Sn-Plating
3	3# CONTACT FOOT	1	BRASS	Sn-Plating
2	2# CONTACT FOOT	1	SUS	Sn-Plating
1	1# CONTACT FOOT	1	PHOSPHOR BRONZE	Sn-Plating



TOLERANCE UNLESS OTHERWISE STATED	Up to 5 ±0.2	Above 5 ~ 15 ±0.3	Above 15 ~ 30 ±0.4	Above 30 ~ 50 ±0.5	Angle ±0.3	3RD. ANGEL'S	UNITS	MM
-----------------------------------	--------------	-------------------	--------------------	--------------------	------------	--------------	-------	----

DRAWN BY:	DATE	MAT'L	TITLE	JACK
Jack Lu	04/25/17			
CHECKED BY:	DATE	FINISH	MODLE	PHONE JACK
Jacky Chen	04/25/17			
APPROVED BY:	DATE	SCALE	DWG NO.	PJ-351x-S124
Tony Kao	04/25/17	1 : 1		
		SHEET NO.	PART NO.	PJ-351x-S124
		1 of 1		

ITEM NO.	DESCRIPTION	DRAWN	DATE