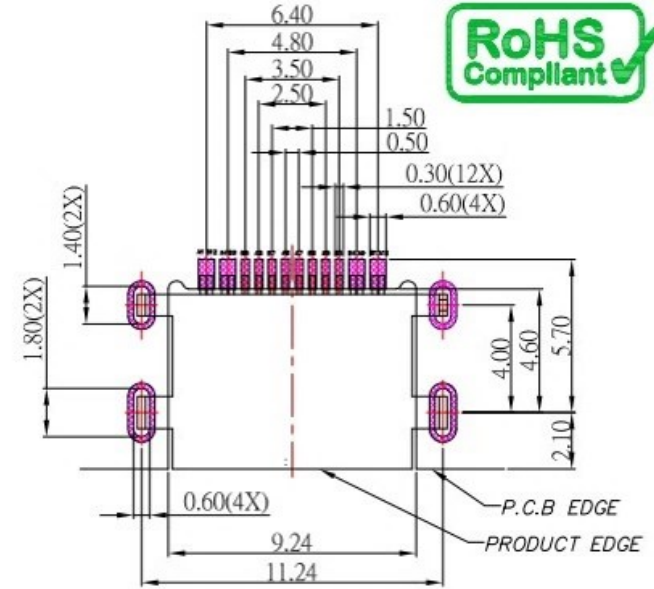
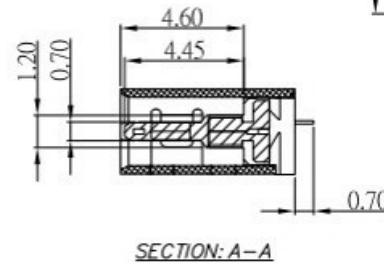
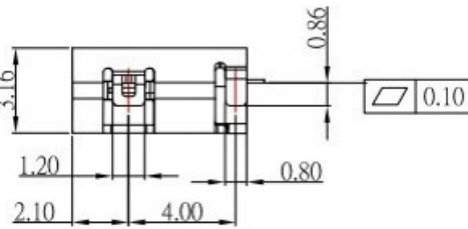
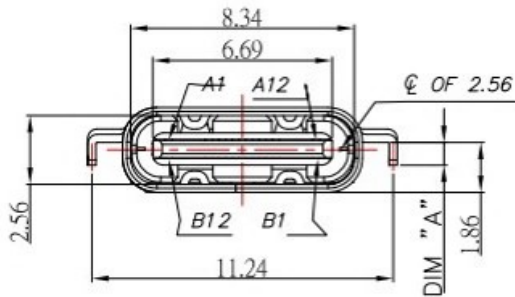
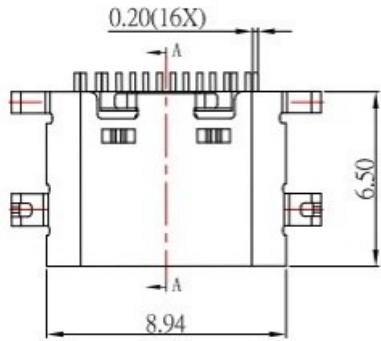




# SBC-160M11x-20x-S331

DIM "A"	鍍層厚度:
Blank: 0.85mm	Blank: 1u"
A: 0.55mm	2: 15u"
	3: 30u"



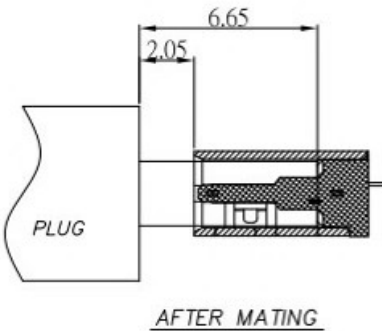
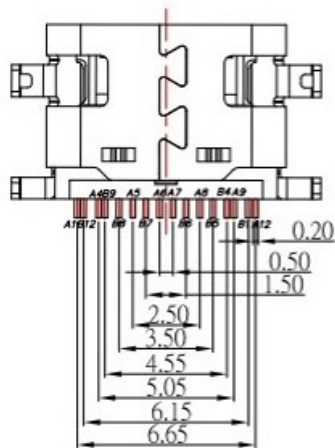
RECOMMENDED P.C.B. LAYOUT

### SPECIFICATIONS

- Electrical:**
1. Rating: 5.0 V, 3.0 A
  2. Dielectric Withstand Voltage: 100V AC
  3. Contact Resistance: 40 mΩ Max
  4. Insulation Resistance: 100 MΩ Min
- Mechanical:**
1. Connector Mate and Unmate Force
    - 1.1 Mate force: 5-20 N
    - 1.2 Unmate force: 8-20 N
- Material:**
1. Housing: LCP
  2. Contact: COPPER ALLOY
  3. Shell: SUS
- Finish:**
1. Contact: Plated Gold in Mating Area ;  
Tin Plated on Solder Balls ;  
Nickel under plated overall
  2. Shell: Nickel under Plated surface layer

### USB TYPE-C PIN ASSIGNMENTS

PIN NUMBER	SIGNAL NAME	PIN NUMBER	SIGNAL NAME
A1	GND	B12	GND
A4	VBUS	B9	VBUS
A5	CC1	B8	SBU2
A6	Dp1	B7	Dn2
A7	Dn1	B6	Dp2
A8	SBU1	B5	CC2
A9	VBUS	B4	VBUS
A12	GND	B1	GND



东莞市高迪电子有限公司

Dong Guan KDRR Electronic Switch Jack Co., Ltd.

TOLERANCE UNLESS OTHERWISE STATED:

Up to 3	±0.2
Above 3 ~ 15	±0.3
Above 15 ~ 30	±0.4
Above 30 ~ 50	±0.5
Angle	±0.3

3RD. ANGEL'S



UNITS

MM

DRAWN BY:	DATE
Jack Lu	09/18/20
CHECKED BY:	DATE
Jacky Chen	09/18/20
APPROVED BY:	DATE
Tony Kao	09/18/20

MAT'L		TITLE	CONNECTOR
FINISH		MODLE	USB TYPE C 2.0 沉板上H1.29mm
SCALE	1 : 1	DWG NO.	SBC-160M11x-20x-S331
SHEET NO.	1 of 1	PART NO.	SBC-160M11x-20x-S331

ITEM NO	DESCRIPTION	DRAWN	DATE
---------	-------------	-------	------