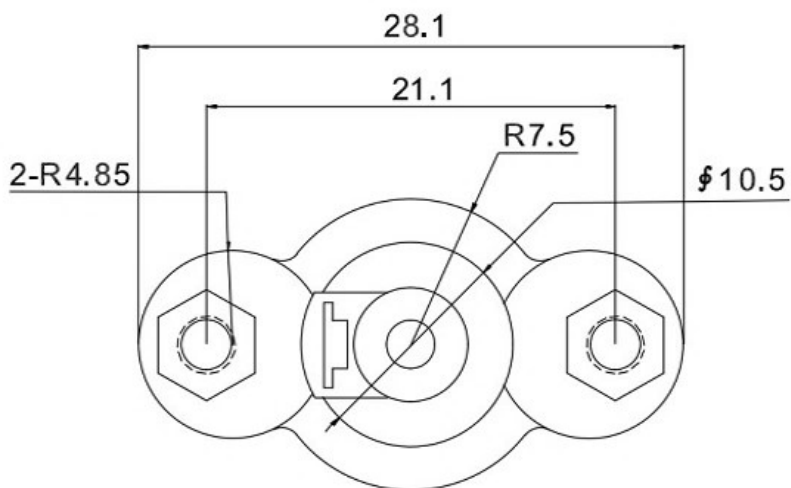
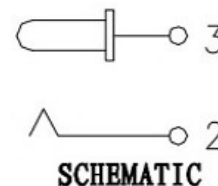
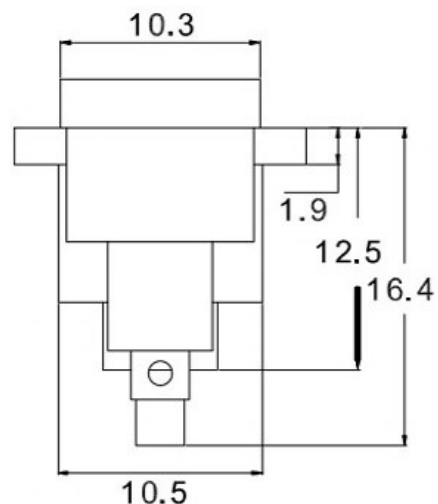
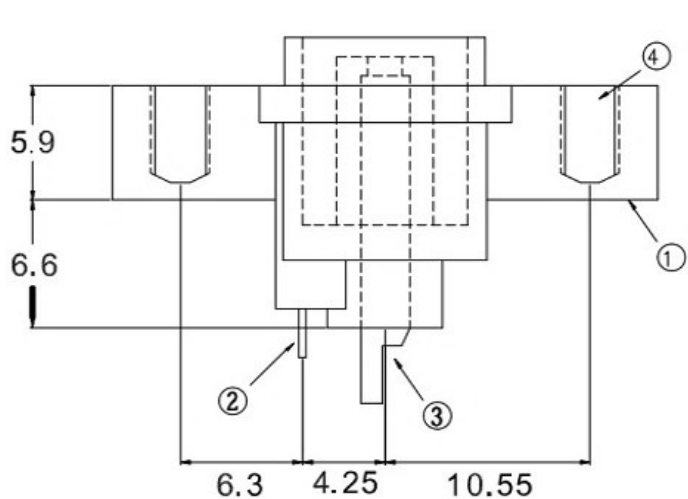


PROPRIETARY INFORMATION  
COMPANY CONFIDENTIAL

REV.	ECN NO.	DESCRIPTION	DESIGN	DATE
A		INITIAL	Kai	2018.05.11



SPECIFICATIONS:

- ELECTRICAL CHARACTERISTICS:
  - RATING: 24V 3A
  - CONTACT RESISTANCE: 30mΩ MAX.(INITIAL)
  - DIELECTRIC WITHSTANDING VOLTAGE: 500V AC FOR ONE MINUTE
  - INSULATION RESISTANCE: 100M MIN. MEASURED BY 500V DC
- MECHANICAL CHARACTERISTICS:
  - INSERTION FORCE : 0.3~3.0 KGF
  - WITHDRAWAL FORCE : 0.3~3.0 KGF
- LIFE TEST: 5,000 CYCLES MIN.
- FOR REFLOW SOLDERING LEAD-FREE PROCESS.

UNLESS OTHERWISE SPECIFIED TOLERANCES

东莞市高迪电子有限公司

DECIMALS:		ANGLES:	
DIM	TOL	DIM	TOL
X.	±0.50	X.	±2°
X.X	±0.30	X.X	±1°
X.XX	±0.20	X.XX	—
X.XXX	±0.10	X.XXX	—

DWG NO.	PART NAME: DC POWER JACK
DESIGN:	PART NO.
CHECK:	REV. A
APPROVED	UNIT: mm
	SHEET: 1/1

ITEM	NAME	Q'TY	DESCRIPTION	NOTE
3	SHELL	1	PHORPHOS BRONZE; THE BOTTOM OF THE NICKEL(40u"MIN.); THE WHOLE GOLD FLASH PLATING.	
2	CONCTOR PIN	1	BRASS; THE BOTTOM OF THE NICKEL(40u"MIN.); THE WHOLE GOLD FLASH PLATING.	
1	HOUSING	1	PA9T COLOR BLACK	