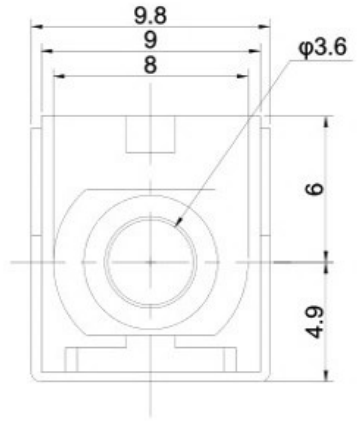
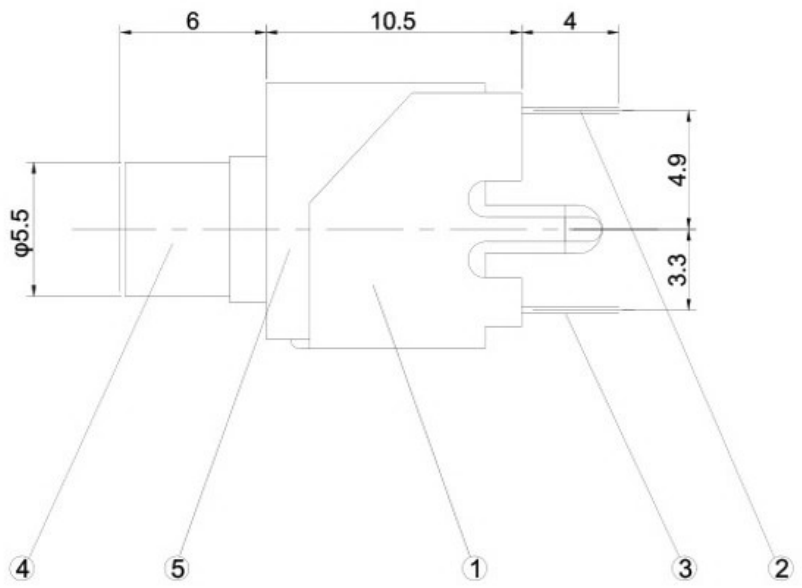
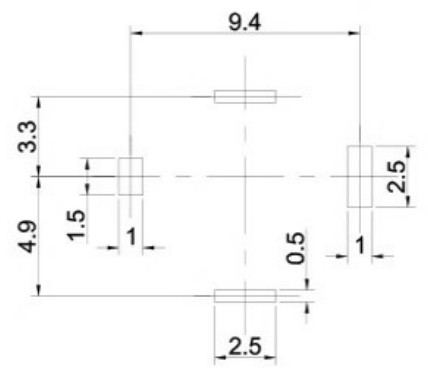


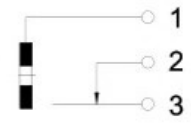
REV.	ECN NO.	DESCRIPTION	DESIGN	DATE
A		INITIAL	Kai	2018.05.17



线路板印刷开孔尺寸



按点示意图



07	Copper sleeve (nickel plating); Pling gold-Flash;Housing Black (colour)
06	Copper sleeve (nickel plating); Pling gold-Flash;Housing white (colour)
05	Copper sleeve (sand blasting / chemical nickel); Pling gold-Flash;Housing Black (colour)
04	Copper sleeve (sand blasting / chemical nickel); Pling gold-Flash;Housing white (colour)
03	Stainless steel (sandblast); Pling gold-Flash;Housing white (colour)
02	Stainless steel (sandblast); Pling gold 4u";Housing green-OPPO (colour)
01	Aluminium sleeve (sandblast / oxidation); Pling gold-Flash;Housing white (colour)
ITEM	DESCRIPTION

UNLESS OTHERWISE SPECIFIED TOLERANCES		东莞市高迪电子有限公司	
DECIMALS:		ANGLES:	
DIM	TOL	DIM	TOL
X.	± 0.30	X.	$\pm 2'$
X.X	± 0.25	X.X	$\pm 1'$
X.XX	± 0.20	X.XX	$\pm 1'$
X.XXX	± 0.10	X.XXX	$\pm 1'$
DWG NO. /		PART NAME: PHONE JACK	
DESIGN:		PART NO.	
CHECK:		REV. UNIT: SHEET:	
APPROVED		A mm 1/1	

由 Autodesk 教育版产品制作

由 Autodesk 教育版产品制作