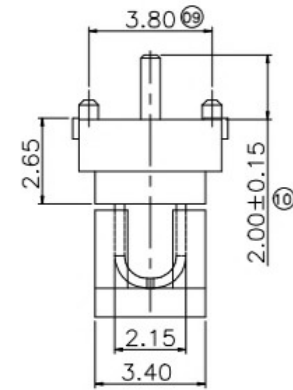
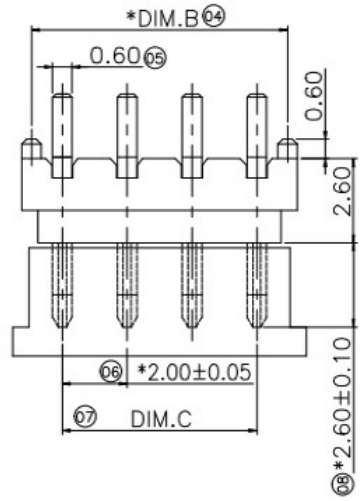
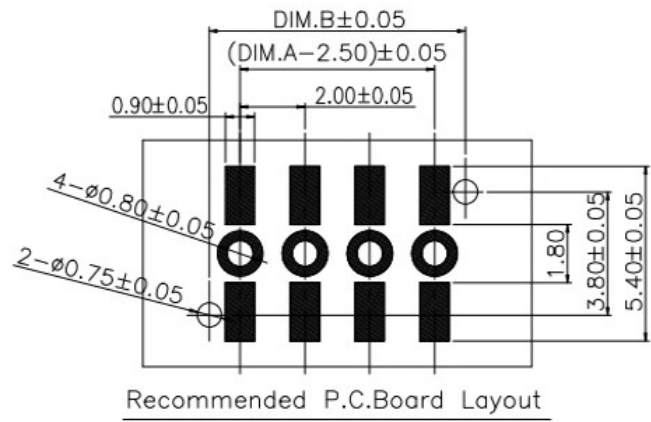
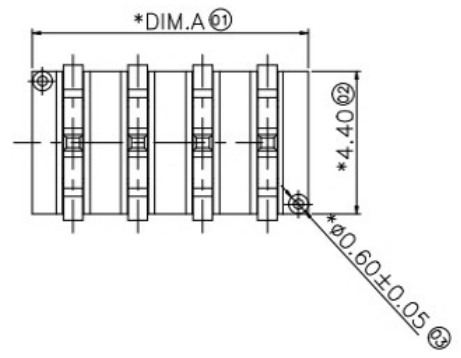


|      |         |             |        |            |
|------|---------|-------------|--------|------------|
| REV. | ECN NO. | DESCRIPTION | DESIGN | DATE       |
| A    |         | INITIAL     | Kai    | 2018.03.29 |



| DIMA  | DIM.B | DIM.C |
|-------|-------|-------|
| 6.50  | 5.90  | 4.00  |
| 8.50  | 7.90  | 6.00  |
| 10.50 | 9.90  | 8.00  |
| 12.50 | 11.90 | 10.00 |
| 14.50 | 13.90 | 12.00 |
| 16.50 | 15.90 | 14.00 |
| 18.50 | 17.90 | 16.00 |
| 20.50 | 19.90 | 18.00 |



NOTE:  
 Material  
 Insulator:Nylon 9T(UL94V-0)  
 Contact:phosphor Bronze  
 Contact Plated:Gold over Nickel or Tin  
 Specification  
 Rated voltage: 12V 30V  
 Current rating: 3A 5A  
 instant CURRENT:7A  
 Contact Resistance:30MΩ  
 Insulation Resistance:100MΩ  
 Dielectric Voltage:1000V  
 Operdting Temperature:-40°~105°

UNLESS OTHERWISE SPECIFIED TOLERANCES

**东莞市高迪电子有限公司**

|             |         |          |                   |
|-------------|---------|----------|-------------------|
| DECIMALS:   | ANGLES: | DWG NO.  | PART NAME:        |
| DIM TOL     | DIM TOL | DESIGN:  | PART NO.          |
| X. ±0.50    | X. ±2°  | CHECK:   | REV. UNIT: SHEET: |
| X.X ±0.30   | X.X ±1° | APPROVED | A mm 1/1          |
| X.XX ±0.20  | X.XX    |          |                   |
| X.XXX ±0.10 | X.XXX   |          |                   |

| ITEM | PART NAME | Q'TY | MATERTAL              | DESCRIPTION | REMARK |
|------|-----------|------|-----------------------|-------------|--------|
| ②    | HOUSING   | 1    | LCP                   |             | BLACK  |
| ①    | CONTACT A | 2    | PHOSPHOR BRONZE 0.20T | Au PLATED   |        |