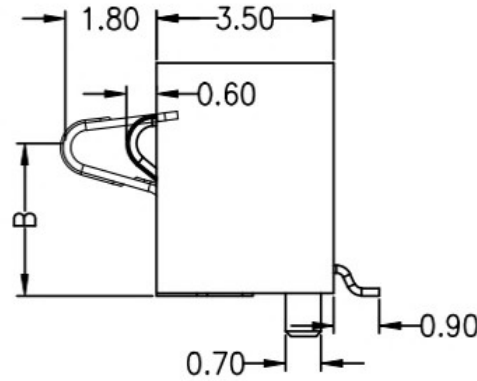
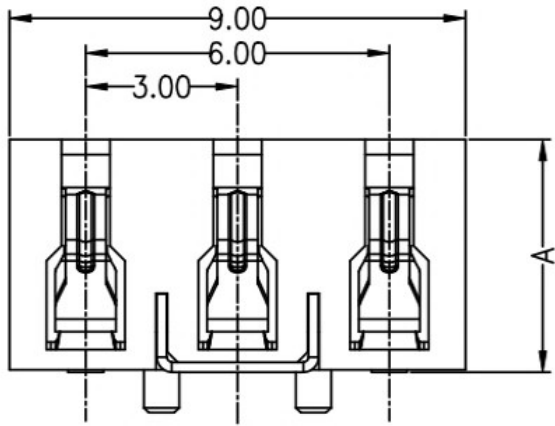
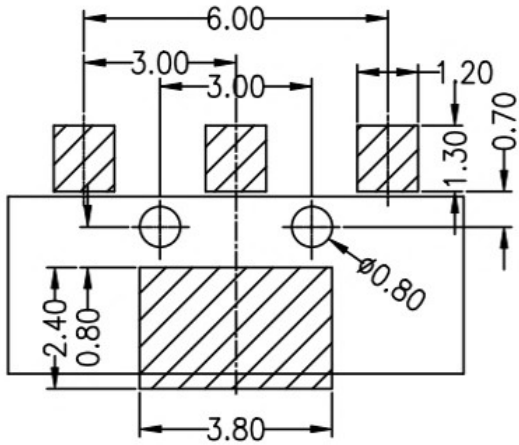


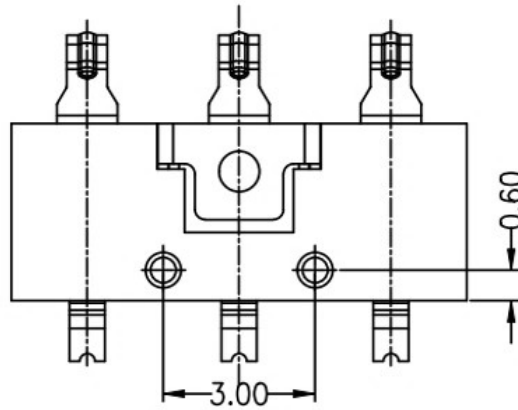
|      |         |             |        |            |
|------|---------|-------------|--------|------------|
| REV. | ECN NO. | DESCRIPTION | DESIGN | DATE       |
| A    |         | INITIAL     | Kai    | 2018.03.29 |



| A    | B    |
|------|------|
| 4.60 | 3.00 |
| 5.00 | 3.40 |
| 5.40 | 3.80 |
| 6.00 | 4.40 |
| 6.80 | 5.20 |
| 7.20 | 5.60 |



RECOMMENDED PCB LAYOUT  
TOL:(±0.05)



性能:  
 额定电流: 3.0A  
 额定电压: 24V  
 耐电压: 500V  
 接触电阻: 30mΩ MAX  
 绝缘电阻: 500MΩ  
 工作温度: -40℃~+85℃  
 塑件(材质): LCP, 耐高温260℃  
 接触点(材质): 铜合金, 触点镀金3U'

UNLESS OTHERWISE SPECIFIED TOLERANCES

东莞市高迪电子有限公司

| ITEM | PART NAME | Q'TY | MATERIAL              | DESCRIPTION | REMARK |
|------|-----------|------|-----------------------|-------------|--------|
| ②    | HOUSING   | 1    | LCP                   |             | BLACK  |
| ①    | CONTACT A | 2    | PHOSPHOR BRONZE 0.20T | Au PLATED   |        |

|             |         |          |                   |
|-------------|---------|----------|-------------------|
| DECIMALS:   | ANGLES: | DWG NO.  | PART NAME:        |
| DIM TOL     | DIM TOL | DESIGN:  | PART NO.          |
| X. ±0.50    | X. ±2°  | CHECK:   | REV. UNIT: SHEET: |
| X.X ±0.30   | X.X ±1' | APPROVED | A mm 1/1          |
| X.XX ±0.20  | X.XX    |          |                   |
| X.XXX ±0.10 | X.XXX   |          |                   |