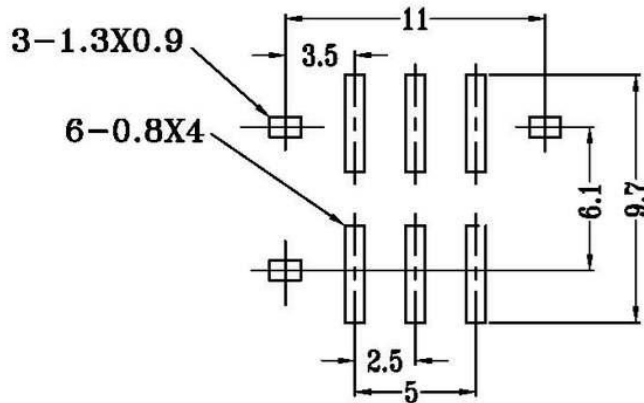
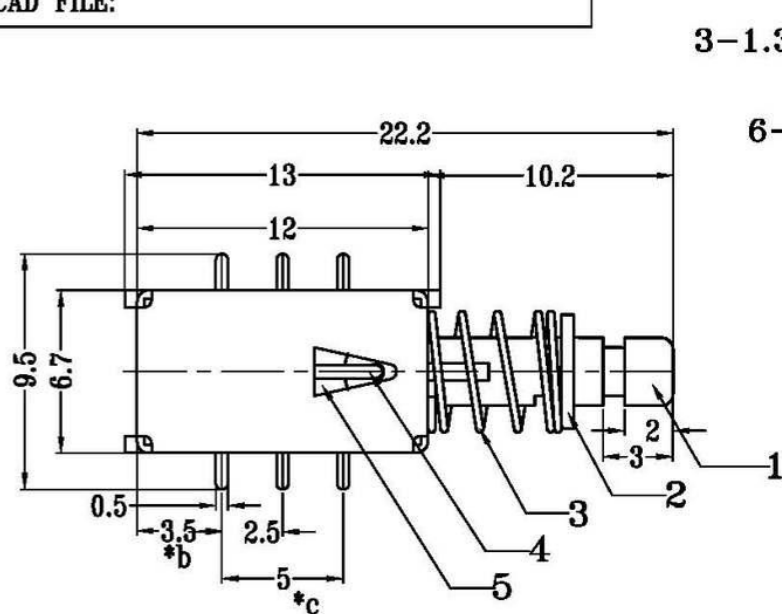
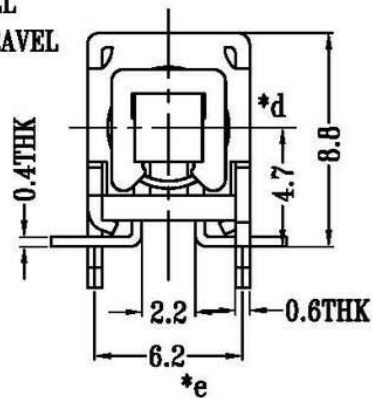
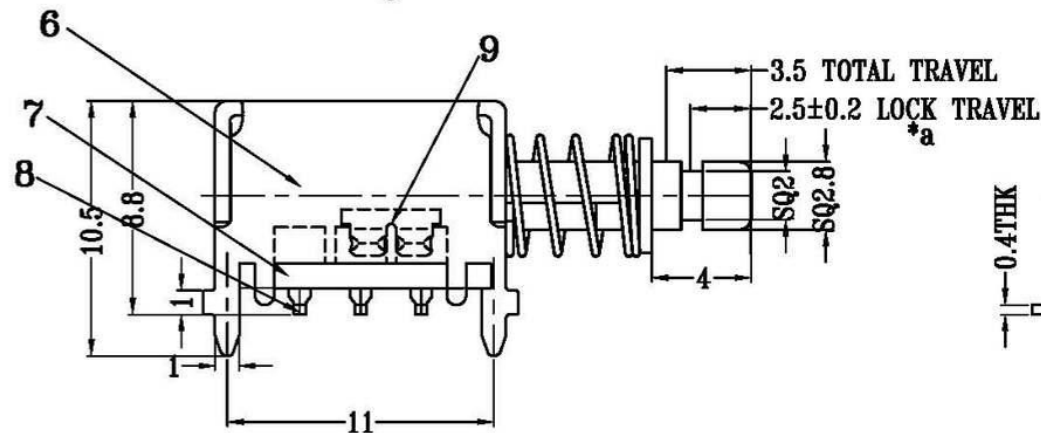


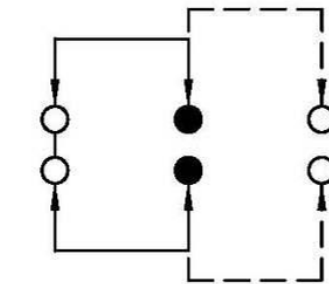
CAD FILE:



P.C.B LAYOUT  
BOTTOM VIEW



注: "\*"表示关键尺寸(5个).



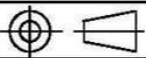
SCHEMATIC (NON-SHORTING)

SPECIFICATIONS

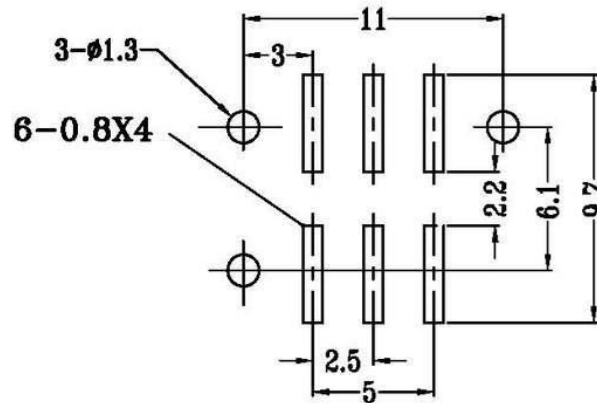
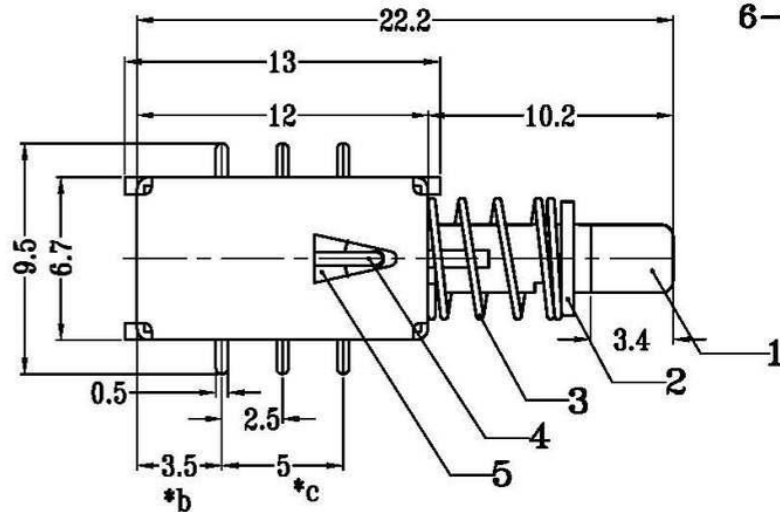
1. LIFE TEST:WITHOUT LOADING 10000cycles at a speed of 15-18cycles
2. CONTACT RESISTANCE:100mΩmax
3. INSULATION RESISTANCE:100MΩmin
4. DIELECTRIC STRENGTH:500V AC FOR 1 MIN
5. OPERATING TEMPERATURE:-16°C+60°C
6. RATING:DC 1A 12V
7. FUNCTION:2P2T
8. TIMING:NON-SHORTING
9. OPERATING FORCE:250gf±100gf

9	CONTACT CLIP	PBS C5210R-EH	2	Ag CLAD
8	TERMINAL	BRASS STRIP	6	Ag PLATED
7	BASE	PHENOLIC RESIN	1	NATURAL
6	FRAME	STEEL STRIP	1	Ni PLATED
5	SPRING PLATE	PBS STRIP	1	Ni PLATED
4	CAM STICK	PBS WIRE	1	Ni PLATED
3	SPRING	STEEL WIRE	1	Ni PLATED
2	BLOCK	STEEL STRIP	1	Ni PLATED
1	KNOB	LCP	1	BLACK
NO.	PARTS	MATERIALS	Q'TY	FINISHING

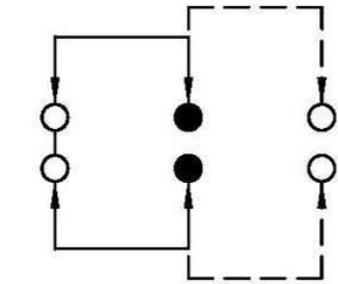
TOLERANCE UNLESS SPECIFIED				
WITHIN 1.5mm : ±0.1mm	A	2008.6.8	初版	张小姐
OVER 1.5mm : ±0.2mm	ISSUE	DATE	DESCRIPTIONS OF REVISION	APPD.
TITLE : PUSH SWITCH		UNIT : mm	DRWG NO.:	
MODEL:		SCALE: 3:1	DWN.	张小姐 2008.6.8
東莞市高迪電子有限公司 KDRR Electronic Switch Jack Co., Ltd.		CHK'D	刘工	2008.6.8
		APPD.		



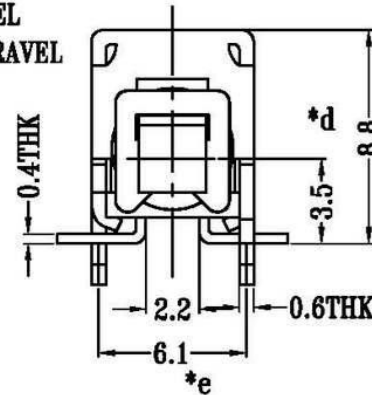
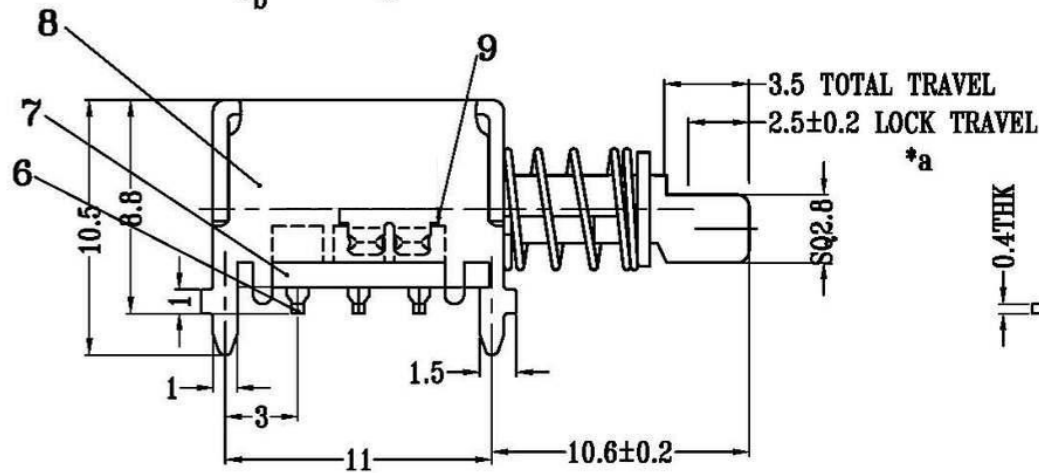
CAD FILE:



P.C.B LAYOUT  
TOP VIEW



SCHEMATIC (NON-SHORTING)



注：“\*”表示关键尺寸(5个).

SPECIFICATIONS

1. LIFE TEST:WITHOUT LOADING 10000cycles at a speed of 15-18cycles
2. CONTACT RESISTANCE:100mΩmax
3. INSULATION RESISTANCE:100MΩmin
4. DIELETRIC STRENGTH:500V AC FOR 1 MIN
5. OPERATING TEMPERATURE:-16°C-+60°C
6. RATING:DC 1.0A 12V
7. FUNCTION:2P2T
8. TIMING:NON-SHORTING
9. OPERATING FORCE:250gf±100gf
- 10.LOCK TRAVEL:2.5±0.2

NO.	PARTS	MATERIALS	Q'TY	FINISHING
9	CONTACT CLIP	PBS C5210R-EH	2	Ag PLATED
8	FRAME	STEEL STRIP	1	Ni PLATED
7	BASE	PHENOLIC RESIN	1	NATURAL
6	TERMINAL	BRASS STRIP	6	Ag PLATED
5	SPRING PLATE	PBS STRIP	1	Ni PLATED
4	CAM STICK	PBS WIRE	1	Ni PLATED
3	SPRING	STEEL WIRE	1	Ni PLATED
2	BLOCK	STEEL STRIP	1	Ni PLATED
1	KNOB	LCP	1	BLACK

TOLERANCE UNLESS SPECIFIED					
WITHIN 1.5mm	: ±0.1mm	A	2008.6.8	初版	张小姐
OVER 1.5mm	: ±0.2mm	ISSUE	DATE	DESCRIPTIONS OF REVISION	APPD.
TITLE : PUSH SWITCH			UNIT : mm	DRWG NO.:	
MODEL:			SCALE: 3:1	DWN.	张小姐 2008.6.8
東莞市高迪電子有限公司 KDRR Electronic Switch Jack Co., Ltd.			CHK'D	刘工	2008.6.8
			APPD.		