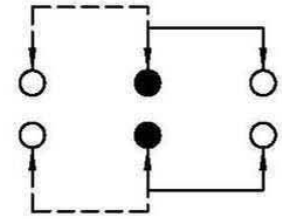
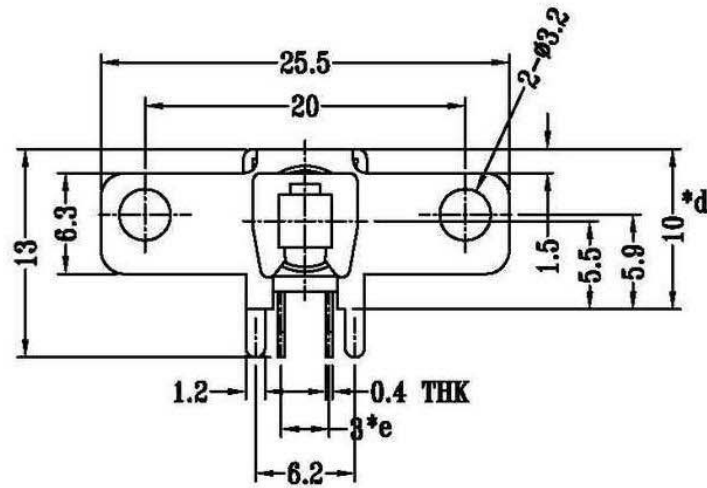
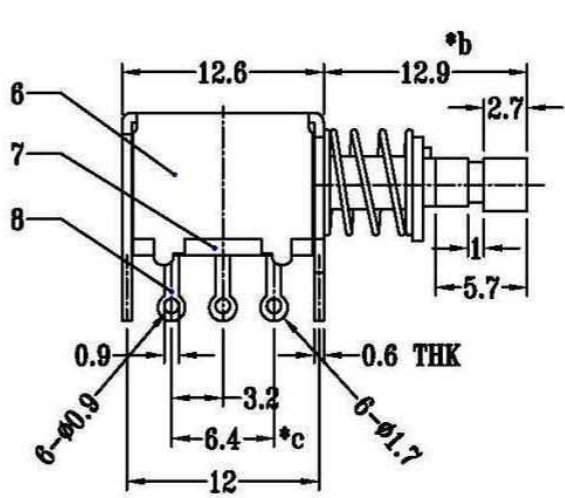
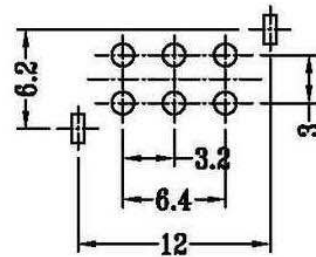
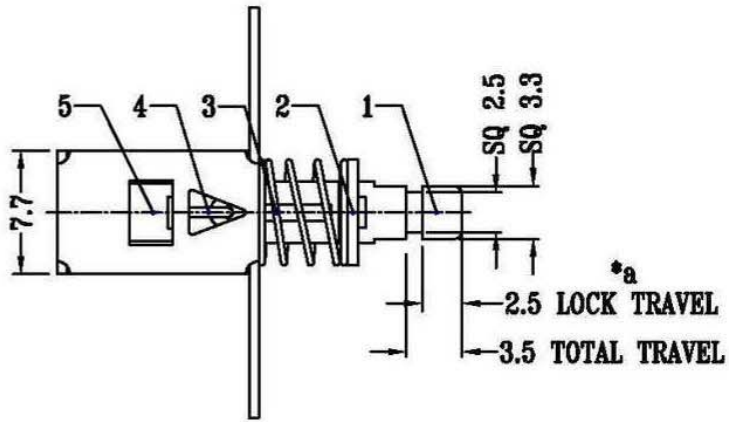


CAD FILE:



SCHEMATIC (NON-SHORTING)



P.C.B LAYOUT
BOTTOM VIEW

注：“*”表示关键尺寸(5个).

NO.	PARTS	MATERIALS	Q'TY	FINISH	TOLERANCE UNLESS SPECIFIED		DESCRIPTIONS OF REVISION			
9	CONTACT CLIP	PBS C5210R-EH	2	Ag CLAD	WITHIN 1.5mm: ±0.1mm	A	2008.6.8	初版		张小姐
8	TERMINAL	BRASS STRIP	6	Ag PLATED	OVER 1.5mm: ±0.2mm	ISSUE	DATE	DESCRPTIONS OF REVISION		APPD.
7	BASE	PHENOLIC RESIN	1	NATURAL	TITLE : PUSH SWITCH		UNIT : mm	DRWG NO.:		
6	FRAME	STEEL STRIP	1	Ni PLATED	MODEL:		SCALE: 2 : 1	DWN.	张小姐	2008.6.8
5	SPRING PLATE	PBS STRIP	1	NATURAL	东莞市高迪电子有限公司 KDRR Electronic Switch Jack Co., Ltd.		SCALE: 2 : 1	CHK'D	刘工	2008.6.8
4	CAM STICK	PBS WIRE	1	NATURAL				APPD.		
3	SPRING	STEEL WIRE	1	Ni PLATED						
2	BLOCK	STEEL STRIP	1	Ni PLATED						
1	KNOB	PA66	1	BLACK						