

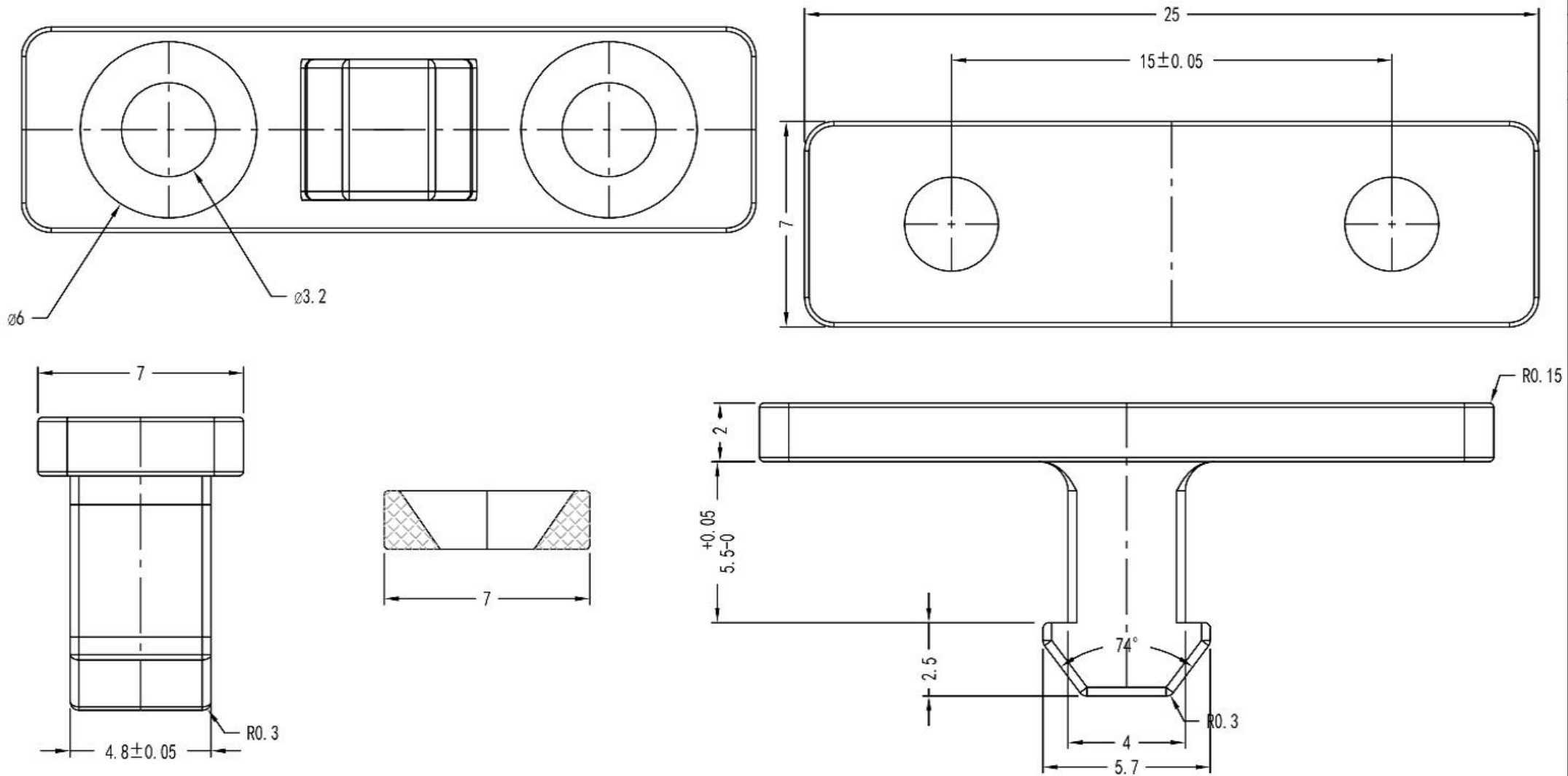
材料清单:

外壳: POM  
 按键: PA66  
 弹簧: SUS304  
 钩针: SUS304  
 脱钩力:  $\geq 20N$

注: 未标注公差尺寸为 $\pm 0.1mm$

TITLE	DOOR LATCH SWITCH	DRAWN		TOLERANCE OTHERWISE UNLESS SPECIFIED	8				
PART NO.	Lock switch	CHECKED		UP TO 5	$\pm 0.2$	6			
DRAW NO.	GD-PR-1R	APPROVED		ABOVE 5 ~ 30	$\pm 0.3$	5			
SCALE: 2:1	UNIT: mm	DATE:		ABOVE 30 ~ 50	$\pm 0.4$	4			
				ABOVE 50	$\pm 0.5$	3	SPRING	SUS	1 Ni PLATED
				ANGLE	$\pm 3'$	2	HOUSING	POM	1 BLACK
						1	SLIDER	PA12	1 BLACK
						NO.	PARTS	MATERIAL	QTY. FINISHING
DONG GUAN GAODI ELECTRONICS CO., LTD.									

东莞市高迪电子有限公司



TITLE	DOOR LATCH SWITCH	DRAWN		TOLERANCE OTHERWISE UNLESS SPECIFIED		8				
PART NO.	Lock switch	CHECKED		UP TO 5	±0.2	7				
DRAW NO.	GD-PR-11	APPROVED		ABOVE 5 ~ 30	±0.3	6				
SCALE: 2:1	UNIT: mm	DATE:		ABOVE 30 ~ 50	±0.4	5				
				ABOVE 50	±0.5	4				
				ANGLE	±3'	3	SPRING	SUS	1	Ni PLATED
						2	HOUSING	POM	1	BLACK
						1	SLIDER	PA12	1	BLACK
						NO.	PARTS	MATERIAL	QTY.	FINISHING
							DONG GUAN GAODI ELECTRONICS CO., LTD.			

 東莞市高迪電子有限公司