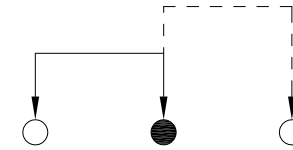
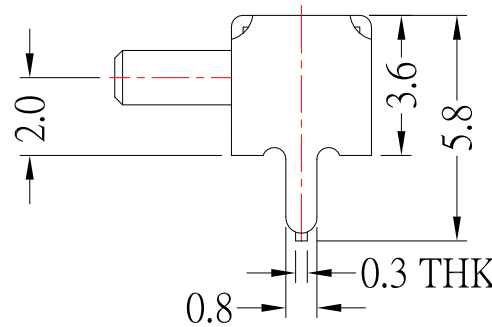
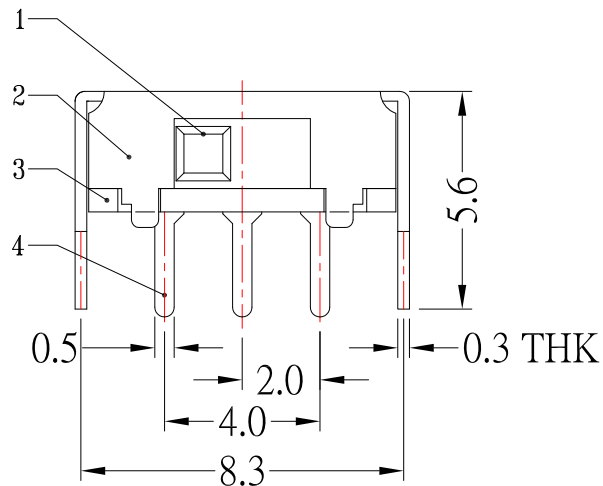


P.C.B MOUNTING PATTERN



SCHEMATIC

Model No.	X(mm)
SK-12D29-GA2	2mm
SK-12D29-GA3	3mm
SK-12D29-GA4	4mm
SK-12D29-GA5	5mm
SK-12D29-GA6	6mm
SK-12D29-GA7	7mm
SK-12D29-GA8	8mm
SK-12D29-GA9	9mm



NO.	DESCRIPTION	QTY	MATERIAL	REMARK
6	SPRING PLATE	1	PBS	Natural
5	CONTACT CLIP	1	PBS	Ag-Plated
4	TERMINAL	3	BRASS	Ag-Plated
3	BASE	1	PHENOLIC RESIN	Natural
2	FRAME	1	SPCC	Sn-Plated
1	KNOB	1	PA66	Black



东莞市高迪电子有限公司
Dong Guan KDRR Electronic Switch Jack Co., Ltd.

TOLERANCE UNLESS OTHERWISE STATED:

Up to 5 ±0.2
Above 5 ~ 15 ±0.3
Above 15 ~ 30 ±0.4
Above 30 ~ 50 ±0.5
Angle ±0.3°

3RD. ANGEL'S



UNITS

MM

DRAWN BY:	DATE	MAT'L	TITLE	SWITCH
Jack Lu	05/17/17			
CHECKED BY:	DATE	FINISH	MODLE	SLIDE SWITCH 1P2T 90度 高温亮锡壳
Jacky Chen	05/17/17			
APPROVED BY:	DATE	SCALE	DWG NO.	SK-12D29-GAx-S191
Tony Kao	05/17/17	1 : 1		
		SHEET NO.	PART NO.	SK-12D29-GAx-S191
		1 of 1		
				SIZE A4
				VER A0