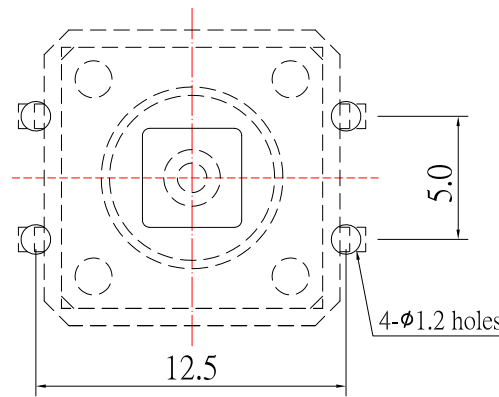
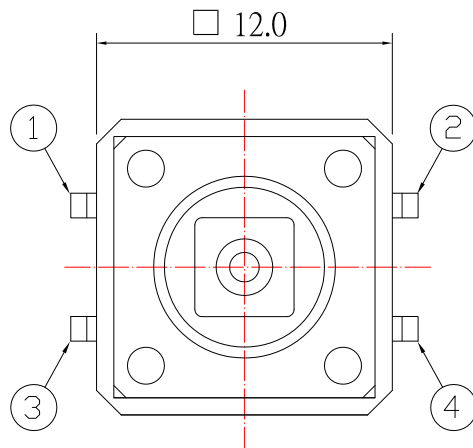


CIRCUIT DIAGRAM



PCB LAYOUT MOUNTING PATTERN

SPECIFICATIONS

Rating	DC 12V 50mA
Contact Resistance	100mΩ Max.
Travel	0.25 ± 0.1mm
Operating Force	2 160±50gf 3 260±50gf
Operating Life(cycles)	100,000



东莞市高迪电子有限公司
Dong Guan KDRR Electronic Switch Jack Co., Ltd.

TOLERANCE UNLESS OTHERWISE STATED :

Up to 5 ±0.2
Above 5 ~ 15 ±0.3
Above 15 ~ 30 ±0.4
Above 30 ~ 50 ±0.5
Angle ±0.3

3RD. ANGEL'S



UNITS

MM

DRAWN BY: Jack Lu
CHECKED BY: Jacky Chen
APPROVED BY: Tony Kao
DATE: 11/24/14

MAT'L		TITLE	SWITCH
FINISH		MODLE	TACT SWITCH
SCALE	1 : 1	DWG NO.	TS-A03T-x-S126
SHEET NO.	1 of 1	PART NO.	TS-A03T-x-S126

SIZE A4
VER R