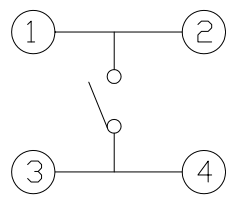
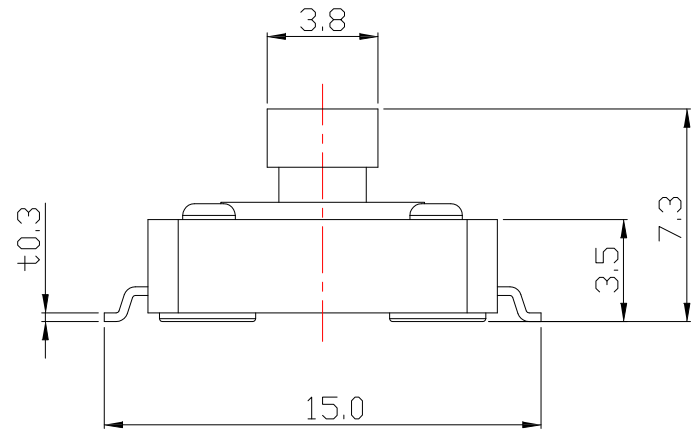


PCB LAYOUT MOUNTING PATTERN



CIRCUIT DIAGRAM

SPECIFICATIONS

Rating	DC 12V 50mA		
Contact Resistance	100mΩ Max.		
Travel	0.3 ± 0.1mm		
Operating Force	2 160±50gf	3	250±50gf
Operating Life(cycles)	100,000		



东莞市高迪电子有限公司  
Dong Guan KDRR Electronic Switch Jack Co., Ltd.

TOLERANCE UNLESS OTHERWISE STATED:  
Up to 5 ±0.2  
Above 5 ~ 15 ±0.3  
Above 15 ~ 30 ±0.4  
Above 30 ~ 50 ±0.5  
Angle ±0.3°

3RD. ANGEL'S



UNITS

MM

DRAWN BY: Jack Lu  
CHECKED BY: Jacky Chen  
APPROVED BY: Tony Kao

DATE: 01/06/16  
DATE: 01/06/16  
DATE: 01/06/16

MAT'L  
FINISH  
SCALE: 1 : 1  
SHEET NO. 1 of 1

TITLE: SWITCH  
MODLE: TACT SWITCH  
DWG NO.: TS-A03ST-x-S126  
PART NO.: TS-A03ST-x-S126

SIZE: A4  
VER: R

ITEM NO.	DESCRIPTION	DRAWN	DATE