

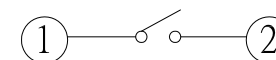
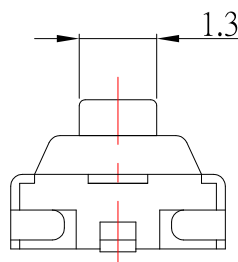
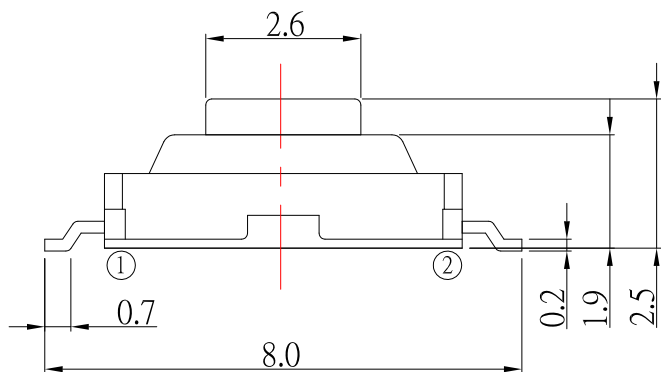


TS-A07GS-x-x-S126

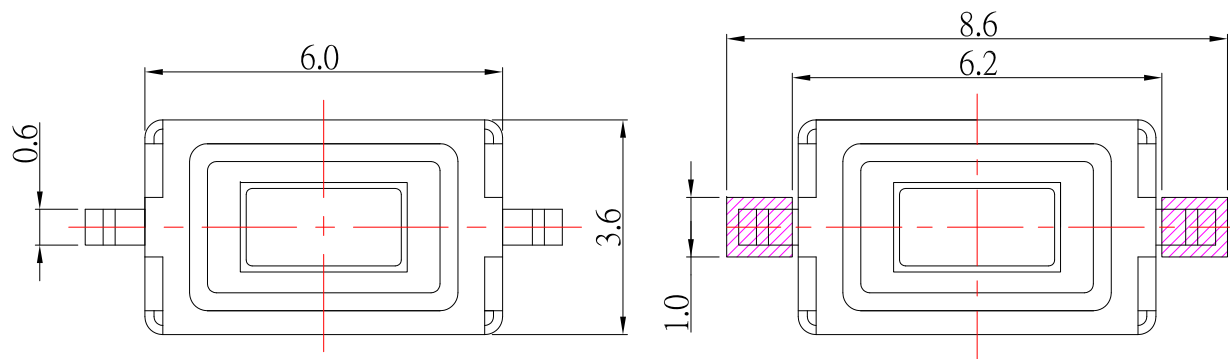
Operating Force

Color:

W	Case:White	Knob:White
R	Case:Black	Knob:Red



CIRCUIT DIAGRAM



P.C.B MOUNTING PATTERN DIMENSION

The following soldering patterns are recommended for reflow soldering

SPECIFICATIONS

Rating	DC 12V 50mA		
Contact Resistance	100mΩ Max.		
Travel	0.25 ± 0.1mm		
Operating Force	1 130±30gf	2 160±30gf	3 250±50gf
Operating Life(cycles)	50,000		30,000



东莞市高迪电子有限公司

Dong Guan KDRR Electronic Switch Jack Co., Ltd.

TOLERANCE UNLESS OTHERWISE STATED:

Up to 5 ±0.2
Above 5 ~ 15 ±0.3
Above 15 ~ 30 ±0.4
Above 30 ~ 50 ±0.5
Angle ±0.3°

3RD. ANGEL'S



UNITS

MM

DRAWN BY:	DATE
Jack Lu	11/14/14
CHECKED BY:	DATE
Jacky Chen	11/14/14
APPROVED BY:	DATE
Tony Kao	11/14/14

MAT'L	TITLE	SWITCH
FINISH	MODLE	TACT SWITCH
SCALE	DWG NO.	TS-A07GS-x-x-S126
SHEET NO.	PART NO.	TS-A07GS-x-x-S126

SIZE	A4
VER	R1

1	更新料號	Jack	111414
ITEM NO.	DESCRIPTION	DRAWN	DATE