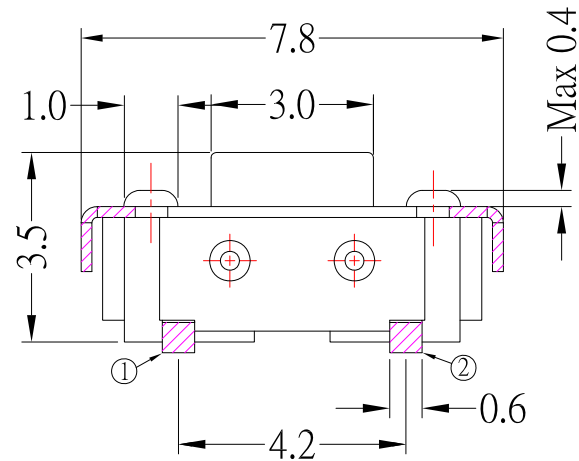
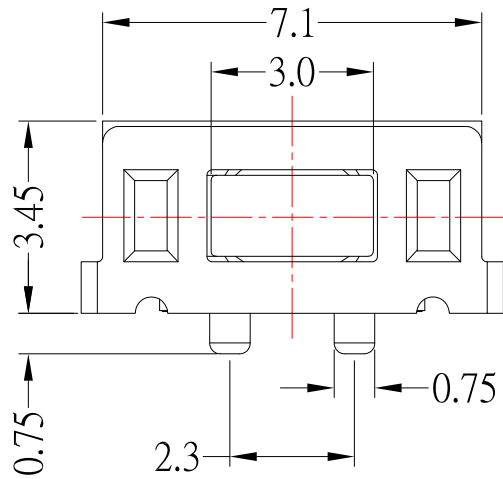
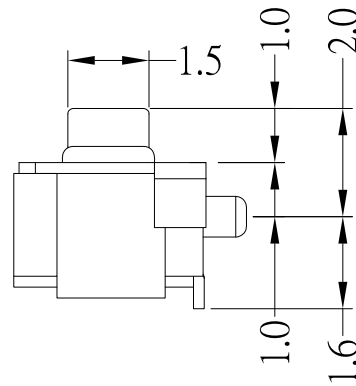
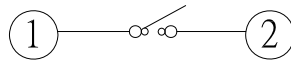


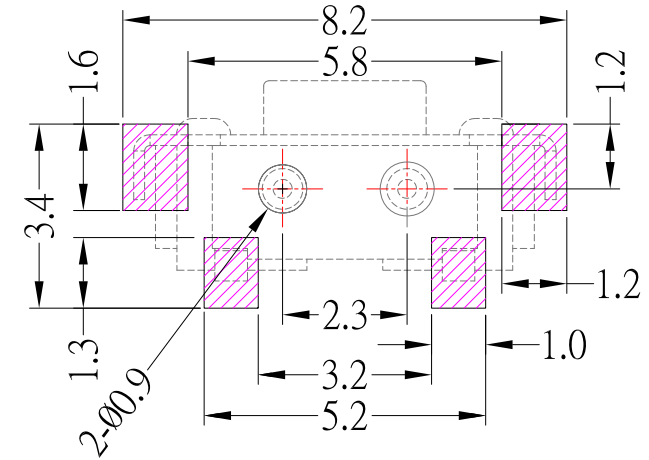
DIMENSIONS



CIRCUIT DIAGRAM



P.C.B MOUNTING PATTERN DIMENSION



SPECIFICATIONS

Rating	DC 12V 50mA Max.							
Circuit	1C - 1P							
Contact Resistance	100mΩ Max.							
Travel	0.25 ± 0.1mm							
Operating Force	0	100 ± 30gf	1	130 ± 30gf	2	160 ± 50gf	3	250 ± 50gf
Operating Life (cycles)	50,000				30,000			



东莞市高迪电子有限公司
Dong Guan KDRR Electronic Switch Jack Co., Ltd.

TOLERANCE UNLESS OTHERWISE STATED :

Up to 5 ±0.2
Above 5 ~ 15 ±0.3
Above 15 ~ 30 ±0.4
Above 30 ~ 50 ±0.5
Angle ±0.3°

3RD. ANGEL'S



UNITS

MM

DRAWN BY: Jack Lu
CHECKED BY: Jacky Chen
APPROVED BY: Tony Kao

DATE: 08/18/15
DATE: 08/18/15
DATE: 08/18/15

MAT'L
FINISH
SCALE: 1 : 1
SHEET NO.: 1 of 1

TITLE: SWITCH
MODLE: TACT SWITCH
DWG NO.: TS-A12E-x-S126
PART NO.: TS-A12E-x-S126

SIZE: A4
VER: A0

ITEM NO.	DESCRIPTION	DRAWN	DATE
3	更新為A0版	Jack	081815
2	新增OF選項	Jack	080613
1	圖面更新	FrankWu	022412