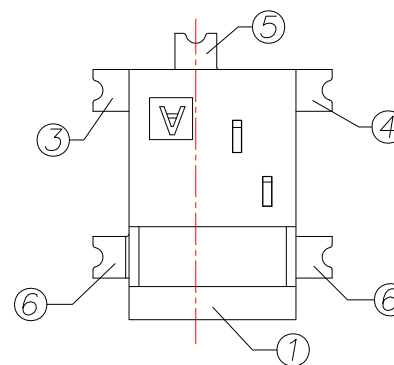
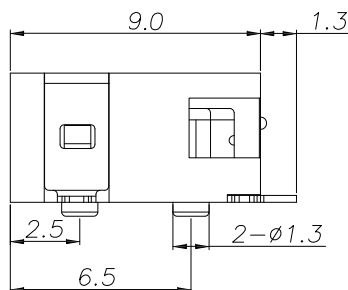
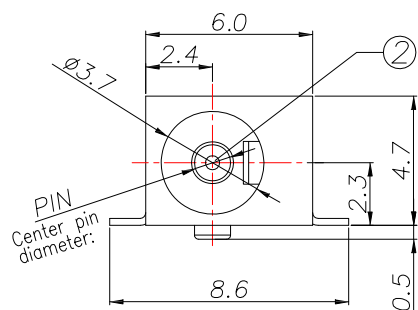


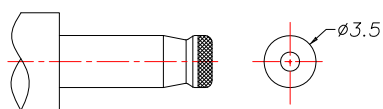
Model NO.	DC-073DS-1.0	DC-073DS-1.3
PIN(X)	φ1.0	φ1.3

RECOMENDED P.C.B LAYOUT

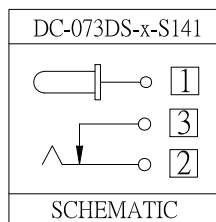


SPECIFICATION

- 1.Rating : DC 12V 2.0A
- 2.Contact resistance : ≤ 30mΩ
- 3.Insulation resistance : ≥ 100MΩ
- 4.Withstand voltage : 500VAC
- 5.Insertion and extraction force : 3-30N
- 6.life test : 5,000 cycles



DC MATE PLUG



□ : TERMINAL NO.

⑥	Frame	④	1	Copper Alloy	Ag Plating
⑤	Shunt Terminal	③	1	Copper Alloy	Ag Plating
④	Tip Spring	②	1	Copper Alloy	Ag Plating
③	Center Pin Terminal	①	1	Copper Alloy	Ag Plating
②	Center Pin	①	1	Copper Alloy	CuSn Plating
①	Housing		1	PA9T	Black
NO.	DESCRIPTION		QTY	MATERIAL	REMARK



东莞市高迪电子有限公司
Dong Guan KDRR Electronic Switch Jack Co., Ltd.

TOLERANCE UNLESS OTHERWISE STATED:

Up to 5 ±0.2
Above 5 ~ 15 ±0.3
Above 15 ~ 30 ±0.4
Above 30 ~ 50 ±0.5
Angle ±0.3°

3RD. ANGEL'S



UNITS

MM

DRAWN BY:	DATE	MAT'L	TITLE	JACK
Jack Lu	04/20/15		MODLE	DC JACK
CHECKED BY:	DATE	FINISH	SCALE	1 : 1
Jacky Chen	04/20/15		DWG NO.	DC-073DS-x-S141
APPROVED BY:	DATE	SHEET NO.	PART NO.	DC-073DS-x-S141
Tony Kao	04/20/15	1 of 1		

ITEM NO.	DESCRIPTION	DRAWN	DATE