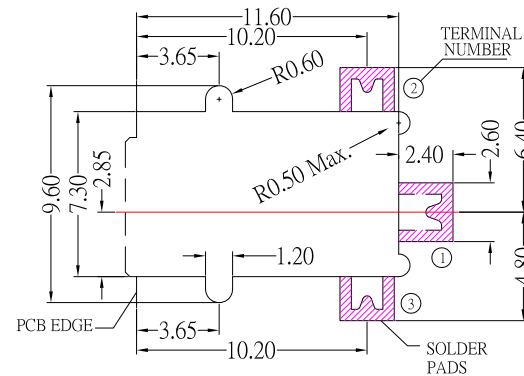
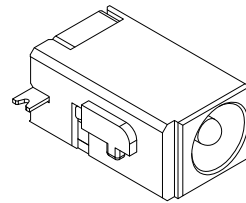
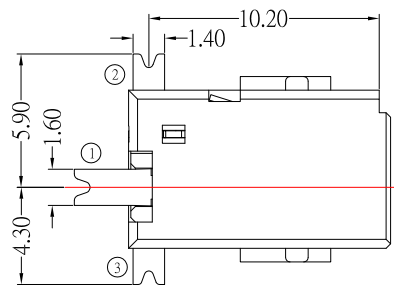


MODEL NO.	DC-095DH
SCHEMATIC	1 3 2
CENTER PIN	φ1.65mm

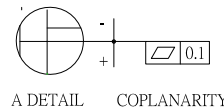
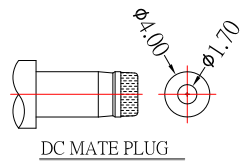


### \* MATERIAL

- TERMINAL 1 :BRASS
- TERMINAL 2 :PHOSPHOR BRONZE
- TERMINAL 3 :BRASS
- HOUSING :PA6T
- CENTER PIN :BRASS

### SPECIFICATION

- 1.Rating : DC 16V 5.0A
- 2.Contact resistance : ≤ 50mΩ
- 3.Insulation resistance : ≥ 100MΩ
- 4.Withstand voltage : 500VAC
- 5.Insertion and extraction force : 3-30N
- 6.life test : 5,000 cycles



P.C.B LAYOUT MOUNTING PATTERN (TOP VIEW)



东莞市高迪电子有限公司  
Dong Guan KDRR Electronic Switch Jack Co., Ltd.

TOLERANCE UNLESS OTHERWISE STATED :

Up to 5 ±0.2  
Above 5 ~ 15 ±0.3  
Above 15 ~ 30 ±0.4  
Above 30 ~ 50 ±0.5  
Angle ±0.3

3RD. ANGEL'S



UNITS

MM

DRAWN BY:	DATE
Jack Lu	08/12/14
CHECKED BY:	DATE
Jacky Chen	08/12/14
APPROVED BY:	DATE
Tony Kao	08/12/14

MAT'L		TITLE	JACK
FINISH		MODLE	DC JACK
SCALE	1 : 1	DWG NO.	DC-095DH-1.65
SHEET NO.	1 of 1	PART NO.	DC-095DH-1.65
		SIZE	A4
		VER	R2

2	新增SPEC	Jack	081214
1	更新材質	Jack	040914
ITEM NO.	DESCRIPTION	DRAWN	DATE