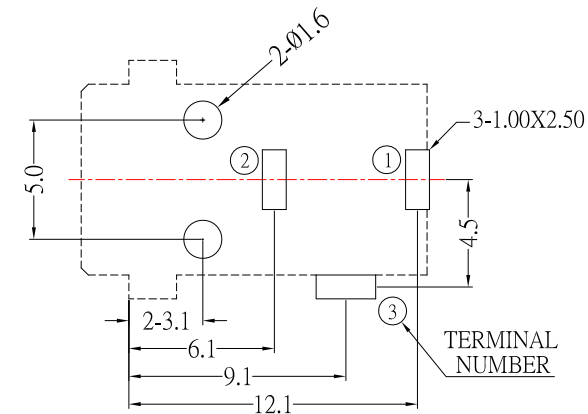
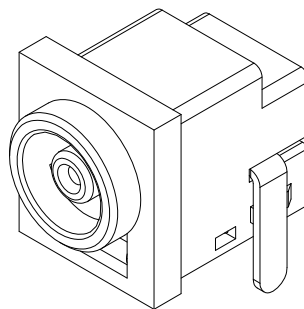
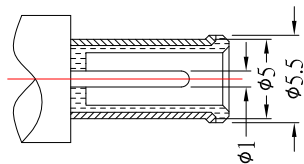


MODEL NO.	DC-058-2-1.0-TN
SCHEMATIC	



PCB LAYOUT

DC MATE PLUG



SPECIFICATION

1. Rating : DC 24V 3.0A
2. Contact resistance : $\leq 50m\Omega$
3. Insulation resistance : $\geq 100M\Omega$
4. Withstand voltage : 500VAC
5. Insertion and extraction force : 3-30N
6. life test : 5,000 cycles

4	HOUSING	1	PBT	
3	TERMINAL #3	1	Brass	Matte Tin Plated
2	TERMINAL #2	1	Phosphor Bronze	Matte Tin Plated
1	TERMINAL #1	1	Brass	Matte Tin Plated
NO.	DESCRIPTION	QTY	MATERIAL	PLATING



东莞市高迪电子有限公司
Dong Guan KDRR Electronic Switch Jack Co., Ltd.

TOLERANCE UNLESS OTHERWISE STATED :	Up to 5 ±0.2	3RD. ANGEL'S	UNITS	MM
	Above 5 ~ 15 ±0.3			
	Above 15 ~ 30 ±0.4			
	Above 30 ~ 50 ±0.5			
	Angle ±0.3°			

DRAWN BY:	DATE	MAT'L	TITLE	JACK
Jack Lu	12/23/14		MODLE	DC JACK
CHECKED BY:	DATE	FINISH	SCALE	1 : 1
Jacky Chen	12/23/14		DWG NO.	DC-058-2-1.0-TN
APPROVED BY:	DATE	SHEET NO.	PART NO.	DC-058-2-1.0-TN
Tony Kao	12/23/14	1 of 1		

ITEM NO.	DESCRIPTION	DRAWN	DATE