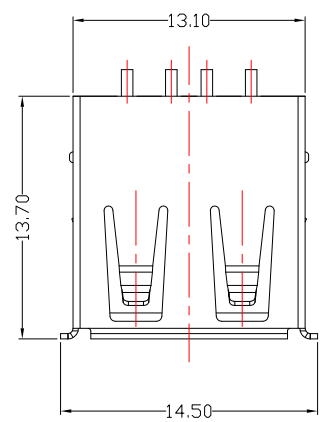


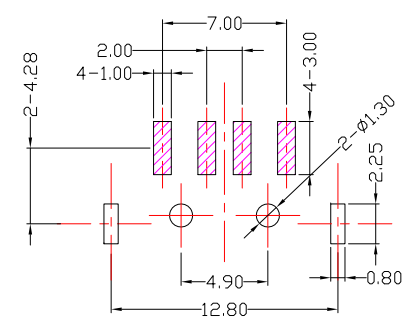
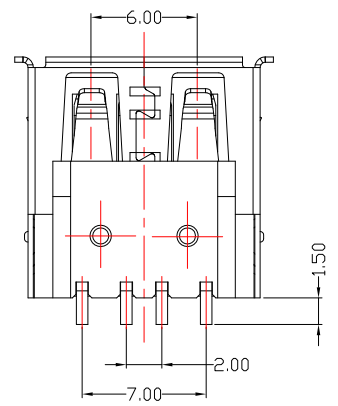
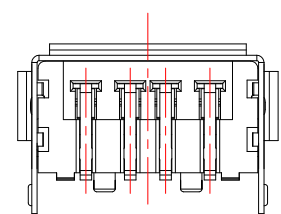
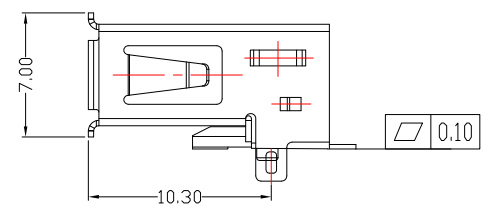
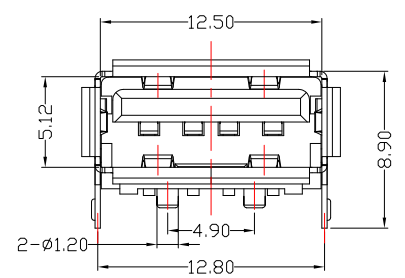


SUA-110M4x-x-S235



Shell Material :
 Blank : BRASS
 I : SPCC

Color :
 White : W
 Black : B



SPECIFICATIONS

Electrical:

- Contact Resistance: 30 mΩ Max
- Insulation Resistance: 1,000 MΩ Min
- Dielectric Withstanding Voltage: 500 V AC

Material:

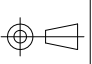
- Housing: LCP , UL 94V-0
- Contact: Phosphor Bronze
- Shell: Brass / SPCC

Finish:

- Contact: Plated Gold in Mating Area ;
Tin Plated on Solder Balls ;
Nickel under plated overall
- Shell: Nickel under Plated surface layer

 **东莞市高迪电子有限公司**
 Dong Guan KDRR Electronic Switch Jack Co., Ltd.

TOLERANCE UNLESS OTHERWISE STATED :
 Up to 5 ±0.2
 Above 5 ~ 15 ±0.3
 Above 15 ~ 30 ±0.4
 Above 30 ~ 50 ±0.5
 Angle ±0.3°

3RD. ANGEL'S  UNITS MM

DRAWN BY:	DATE	MAT'L	TITLE	CONNECTOR
Jack Lu	05/25/18		MODLE	USB A/F SMT 外壳直脚 有柱
CHECKED BY:	DATE	SCALE	DWG NO.	SUA-110M4x-x-S235
Jacky Chen	05/25/18	1 : 1	PART NO.	SUA-110M4x-x-S235
APPROVED BY:	DATE	SHEET NO.	1 of 1	
Tony Kao	05/25/18			

1	新增平整度標示	Jack	052518
ITEM NO.	DESCRIPTION	DRAWN	DATE