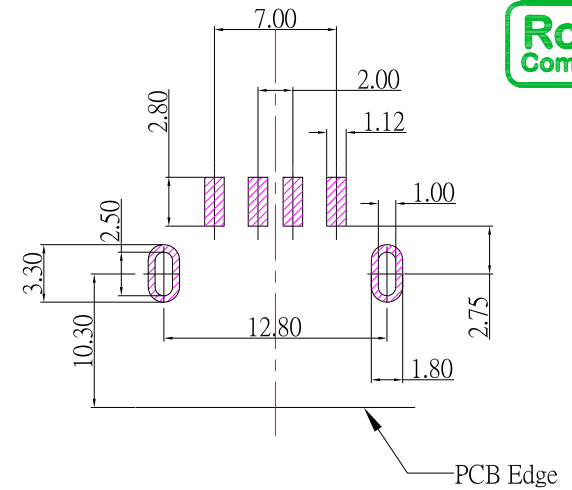
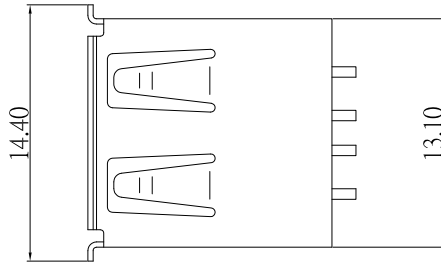


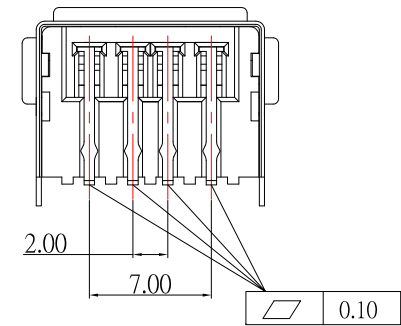
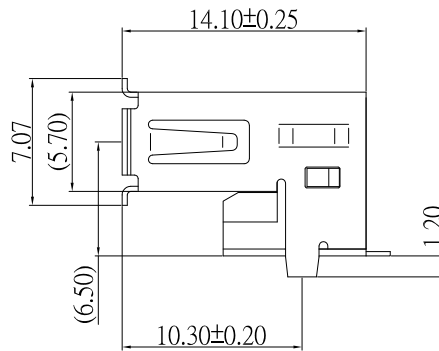
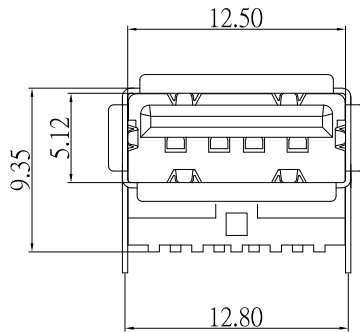


# SUA-110M12-x-x-S165

鍍層厚度 :	COLOR :
Blank : 1u"	Black : B
2 : 15u"	White : W
3 : 30u"	



PCB LAYOUT MOUNTING PATTERN

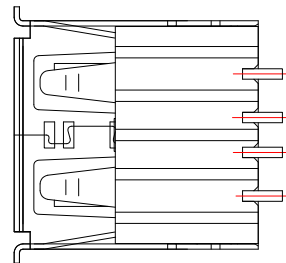


**Material:**

- 1.Housing: LCP
- 2.Contact: BRASS
- 3.Shell: BRASS

**Finish:**

- 1.Contact: Plated Gold in Mating Area ;  
Tin Plated on Solder Balls ;  
Nickel under plated overall
- 2.Shell: Nickel under Plated surface layer



**东莞市高迪电子有限公司**  
Dong Guan KDRR Electronic Switch Jack Co., Ltd.

TOLERANCE UNLESS OTHERWISE STATED :	Up to 5 ±0.2	3RD. ANGEL'S	UNITS	MM
	Above 5 ~ 30 ±0.3			
	Above 30 ~ 50 ±0.4			
	Above 50 ±0.5			
	Angle ±0.3			

DRAWN BY:	DATE	MAT'L	TITLE	CONNECTOR
Jack Lu	05/08/19		MODLE	USB AF R/A SMT H:9.35mm
CHECKED BY:	DATE	SCALE	DWG NO.	SUA-110M12-x-x-S165
Jacky Chen	05/08/19	1 : 1	PART NO.	SUA-110M12-x-x-S165
APPROVED BY:	DATE	SHEET NO.	1 of 1	
Tony Kao	05/08/19			

ITEM NO.	DESCRIPTION	DRAWN	DATE