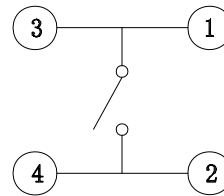
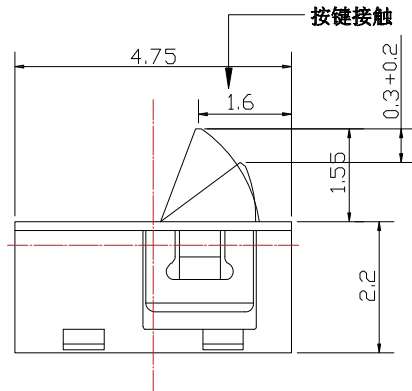


P.C.B LAYOUT



CIRCUIT DIAGRAM

SPECIFICATIONS

Rating	DC 12V, 0.1A.
Contact Resistance	100mΩ Max.
Insulation Resistance	100MΩ Min.
Operating Force	40±10 gf
Mechanical Life	100,000 cycles



东莞市高迪电子有限公司

Dong Guan KDRR Electronic Switch Jack Co., Ltd.

TOLERANCE UNLESS OTHERWISE STATED:

Up to 5 ±0.2
Above 5 ~ 15 ±0.3
Above 15 ~ 30 ±0.4
Above 30 ~ 50 ±0.5
Angle ±0.3

3RD. ANGEL'S



UNITS

MM

DRAWN BY: Jack Lu
CHECKED BY: Jacky Chen
APPROVED BY: Tony Kao

DATE: 12/07/17
DATE: 12/07/17
DATE: 12/07/17

MAT'L
FINISH
SCALE: 1 : 1
SHEET NO.: 1 of 1
TITLE: SWITCH
MODLE: DETECTOR SWITCH
DWG NO.: DS-A40-S379
PART NO.: DS-A40-S379

SIZE: A4
VER: A0

ITEM NO.	DESCRIPTION	DRAWN	DATE
1	更新为A0版	Jack	120717