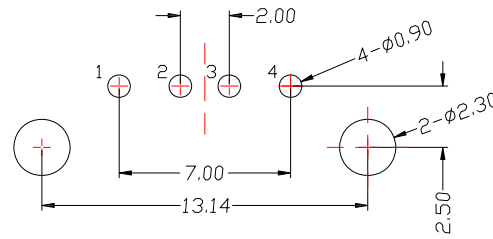
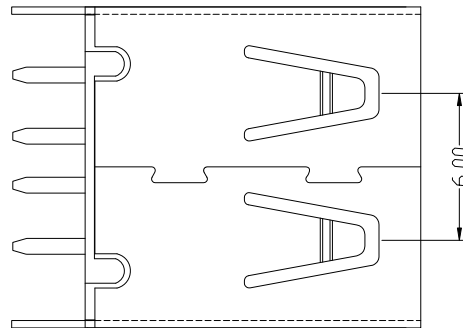
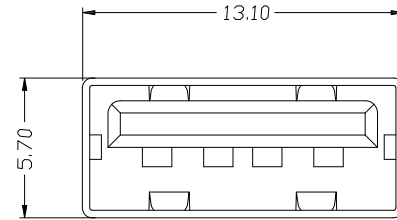
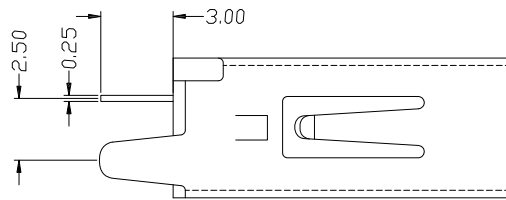
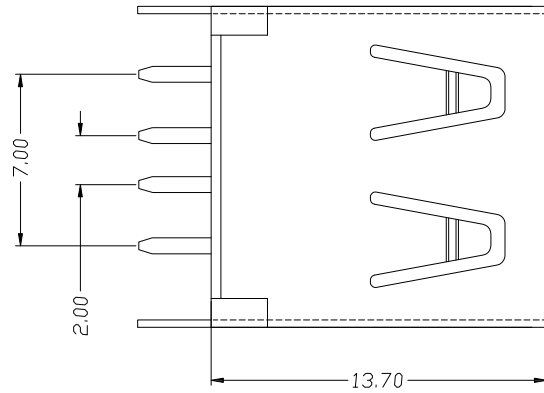




# SUA-110V5x-x-S235

SHELL : \_\_\_\_\_ Color :  
 Blank : Phosphor Bronze      Black : B  
 I : SPCC                              White : W



P.C.B LAYOUT MOUNTING PATTERN

## SPECIFICATIONS

### Electrical:

- 1.Contact Resistance: 30 mΩ Max
- 2.Dielectric Withstanding Voltage: 500 V AC
- 3.Insulation Resistance: 1,000 MΩ Min

### Mechanical:

- 1.Insertion Force: 35N (3.57 kgf) Max
- 2.Extraction Force: 10~35N (1.02~3.57 kgf) Min
- 3.Operating Temperature: -55°C ~ 85°C



**东莞市高迪电子有限公司**  
 Dong Guan KDRR Electronic Switch Jack Co., Ltd.

TOLERANCE UNLESS  
 OTHERWISE STATED :

Up to 5 ±0.2  
 Above 5 ~ 15 ±0.3  
 Above 15 ~ 30 ±0.4  
 Above 30 ~ 50 ±0.5  
 Angle ±0.3°

3RD.  
 ANGEL'S



UNITS

MM

DRAWN BY: Jack Lu  
 CHECKED BY: Jacky Chen  
 APPROVED BY: Tony Kao  
 DATE: 05/04/15

MAT'L		TITLE	CONNECTOR
FINISH		MODLE	USB AF 直插脚 180度 L:13.7 平口
SCALE	1 : 1	DWG NO.	SUA-110V5x-x-S235
SHEET NO.	1 of 1	PART NO.	SUA-110V5x-x-S235
		SIZE	A4
		VER	R

ITEM NO.	DESCRIPTION	DRAWN	DATE