



# SUA-110V16x-x-S235

SHELL :

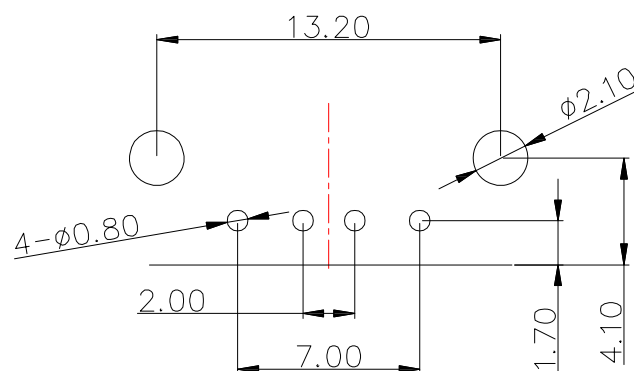
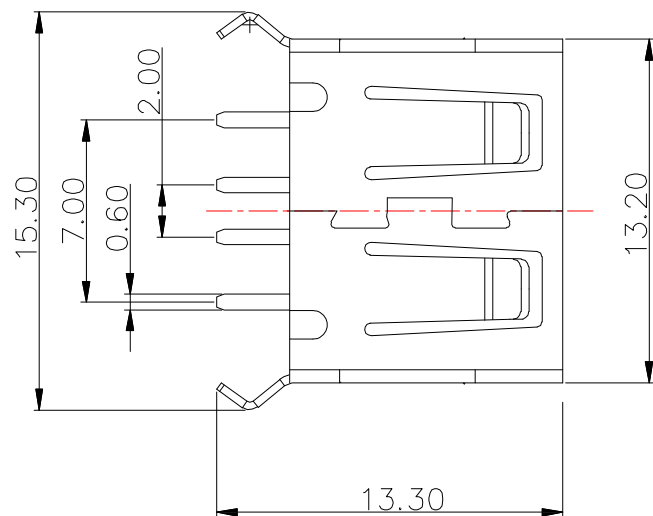
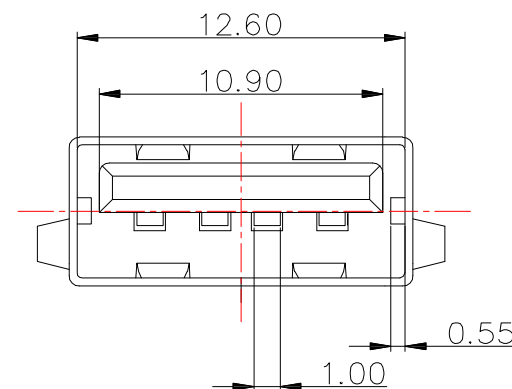
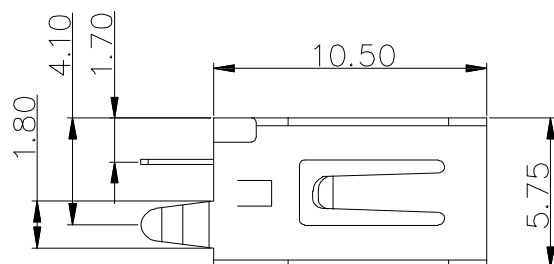
Blank : Brass

I : SPCC

COLOR :

Black: B

White : W



P.C.B LAYOUT MOUNTING PATTERN

## SPECIFICATIONS

### Electrical:

- 1.Rating: 30V DC, 1.5A
- 2.Contact Resistance: 30 mΩ Max
- 3.Dielectric Withstanding Voltage: 500 V AC / 1 minute
- 4.Insulation Resistance: 1,000 MΩ Min

### Material:

- 1.Housing: PBT, UL 94V-0
- 2.Contact: Brass
- 3.Shell: Brass / Spcc

### Finish:

- 1.Contact: Plated Gold in Mating Area ;  
Tin Plated on Solder Balls ;  
Nickel under plated overall
- 2.Shell: Nickel under Plated surface layer



东莞市高迪电子有限公司

Dong Guan KDRR Electronic Switch Jack Co., Ltd.

TOLERANCE UNLESS OTHERWISE STATED

Up to 5 ±0.2  
Above 5 ~ 15 ±0.3  
Above 15 ~ 30 ±0.4  
Above 30 ~ 50 ±0.5  
Angle ±0.3°

3RD. ANGEL'S



UNITS

MM

DRAWN BY: DATE

Jack Lu 05/07/19

CHECKED BY: DATE

Jacky Chen 05/07/19

APPROVED BY: DATE

Tony Kao 05/07/19

MAT'L

FINISH

SCALE

SHEET NO.

TITLE

MODLE

DWG NO.

PART NO.

CONNECTOR

USB A/F 180度直立式 H:10.5, 無捲邊

SUA-110V16x-x-S235

SUA-110V16x-x-S235

SIZE

A4

VER

R2