

RECOMMENDED PCB LAYOUT

SPECIFICATIONS

Electrical:

- 1.Current Rating: 1.0A
- 2.Voltage Rating: 30V
- 3.Contact Resistance: 30 mΩ Max
- 4.Dielectric Withstanding Voltage: 100 V AC Min
- 5.Insulation Resistance: 100 MΩ Min

Mechanical:

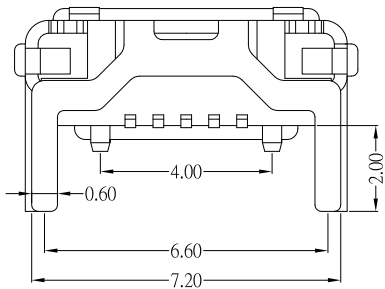
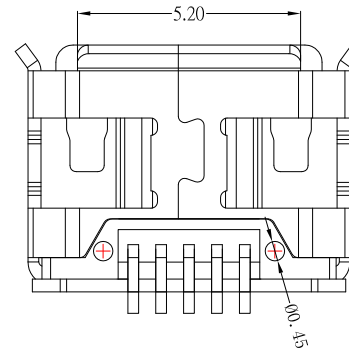
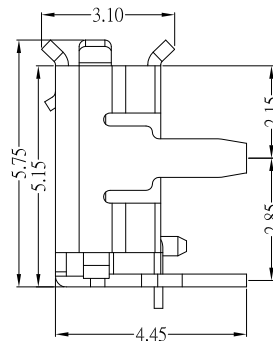
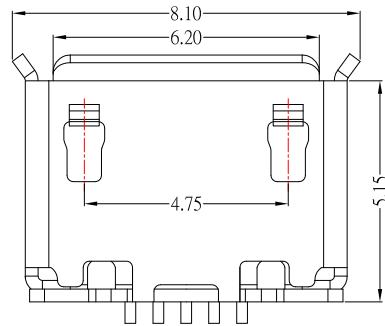
- 1.Connector Mate and Unmate Force
 - 1.1 Mate force: 35N (Max)
 - 1.2 Unmate force: 10N(Min)

Material:

- 1.Housing: LCP,UL 94V-0
- 2.Contact: Brass
- 3.Shell: SUS

Finish:

- 1.Contact: Plated Gold in Mating Area ;
Gold Plated on Solder Balls
Nickel under plated overall
- 2.Shell: Nickel under Plated surface layer



5	更新PCB LAYOUT圖樣式	Jack	041715
4	更新圖面尺寸	Jack	111214
3	更新為A0版	Jack	102814
2	更新尺寸3.80改4.00	Jack	100214
1	更新尺寸4.00改3.80及2.88改2.80及更新pcb layout尺寸	Jack	100114
ITEM NO.	DESCRIPTION	DRAWN	DATE



东莞市高迪电子有限公司
Dong Guan KDRR Electronic Switch Jack Co., Ltd.

TOLERANCE UNLESS OTHERWISE STATED :
Up to 5 ±0.2
Above 5 ~ 15 ±0.3
Above 15 ~ 30 ±0.4
Above 30 ~ 50 ±0.5
Angle ±0.3°

3RD. ANGEL'S

UNITS MM

DRAWN BY:	DATE	MAT'L	TITLE	CONNECTOR
Jack Lu	04/17/15	FINISH	MODLE	MICRO USB BF CONNECTOR
CHECKED BY:	DATE	SCALE	DWG NO.	SIZE
Jacky Chen	04/17/15	1 : 1	MRUSB-5B-EDA-S129	A4
APPROVED BY:	DATE	SHEET NO.	PART NO.	VER
Tony Kao	04/17/15	1 of 1	MRUSB-5B-EDA-S129	R4