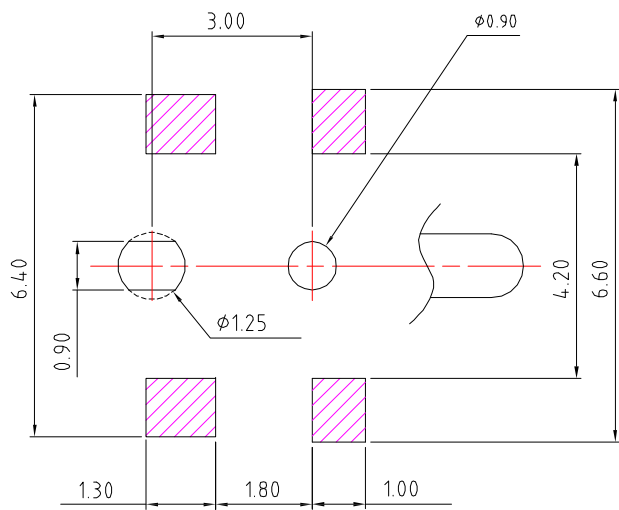
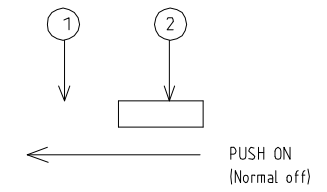


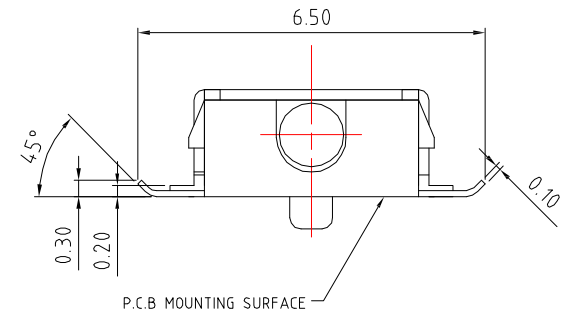
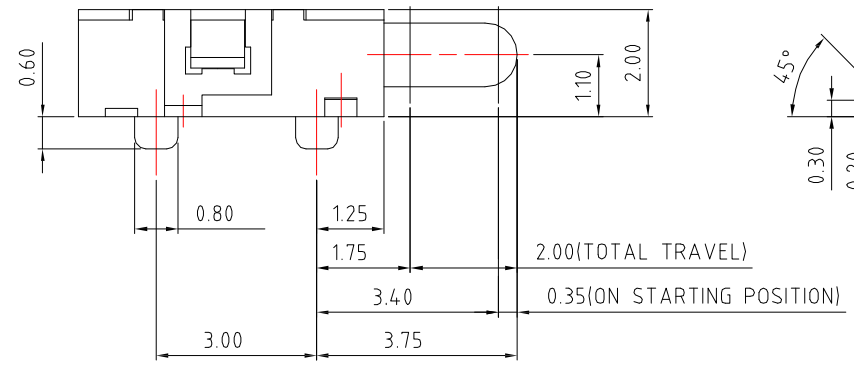
SOLDER LAND DIMENSIONS  
(VIEWED FROM THE DIRECTION "A")



CIRCUIT DIAGRAM(NORMAL)



A  
↓



NOTE

- 1.RATING : DC 12V, 100mA(REISTIVE LOAD)
- 2.OPERATING FORCE : 70gf MAX
- 3.LIFE CYCLE : 50,000 CYCLES
- 4.COLOR : CASE, ACTUATOR - BLACK



**东莞市高迪电子有限公司**  
Dong Guan KDRR Electronic Switch Jack Co., Ltd.

TOLERANCE UNLESS OTHERWISE STATED :

Up to 5 ±0.2  
Above 5 ~ 15 ±0.3  
Above 15 ~ 30 ±0.4  
Above 30 ~ 50 ±0.5  
Angle ±0.3

3RD. ANGEL'S



UNITS

MM

DRAWN BY: Jack Lu  
CHECKED BY: Jacky Chen  
APPROVED BY: Tony Kao

DATE: 07/22/13  
DATE: 07/22/13  
DATE: 07/22/13

MAT'L  
FINISH  
SCALE: 1 : 1  
SHEET NO. 1 of 1

TITLE: SWITCH  
MODLE: DETECTOR SWITCH  
DWG NO.: DS-B50  
PART NO.: DS-B50

SIZE: A4  
VER: R1

ITEM NO.	DESCRIPTION	DRAWN	DATE
1	更新OF	Jack	072213