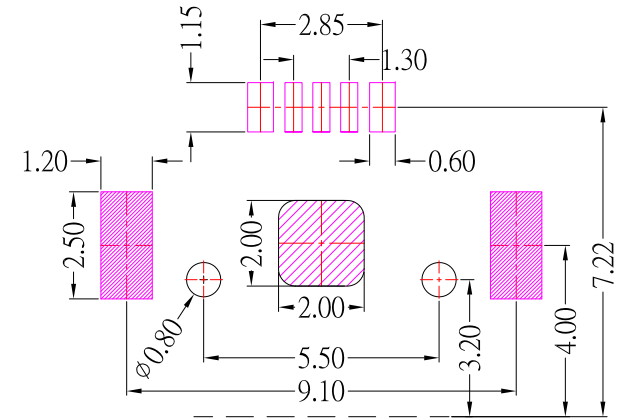
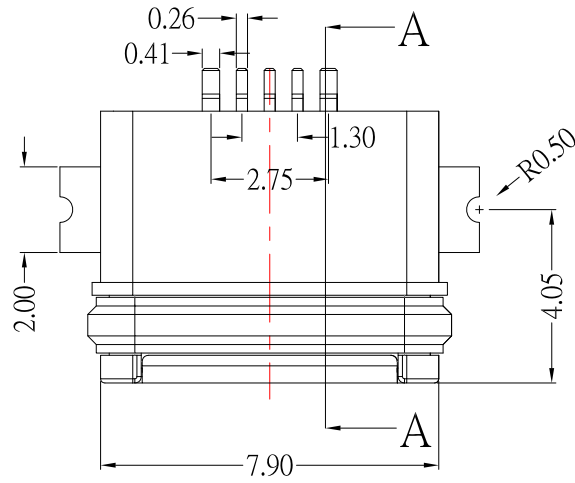
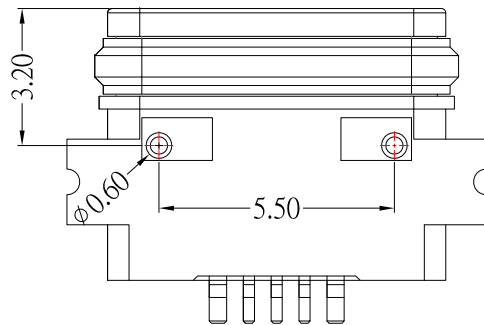
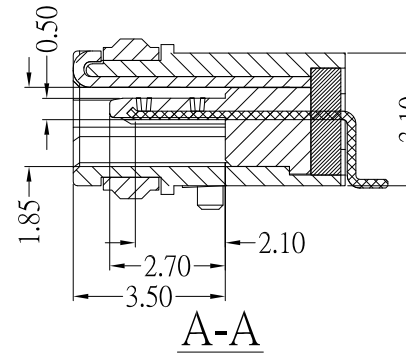
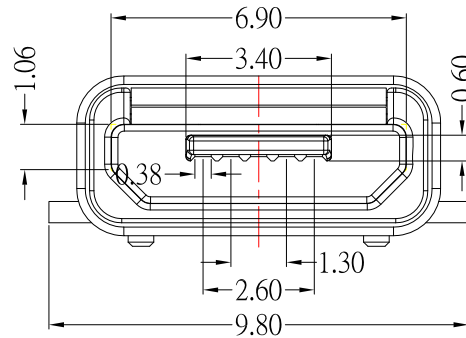
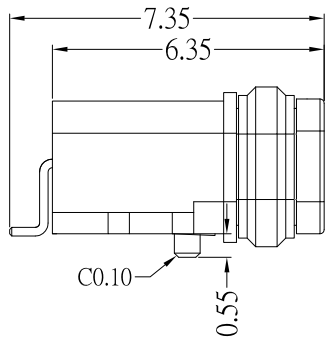




IPX7



P.C.B LAYOUT MOUNTING PATTERN



NOTES:

MATERIAL:

1.1 HOUSING: HIGH TEMPERATURE

1.2 CONTACT: COPPER ALLOY

1.3 SHELL: SUS

FINISH:

2.1 CONTACT: PLATED GOLD IN MATING AREA ;  
GOLD PLATED ON SOLDER BALLS ;  
NICKEL UNDER PLATED OVERALL

2.2 SHELL: NICKEL UNDER PLATED SURFACE LAYER

3.SPECIFICATION:

3.1 RATING: 1.8A(PIN1&5) , 1.0A(PIN2&3&4)

3.2 DIELECTRIC WITHSTANDING VOLTAGE: 100 VAC

3.3 CONTACT RESISTANCE: 30 mΩ MAX.

3.4 INSULATION RESISTANCE: 1000 MΩ MIN.

3.5 TEMPERATURE RANG: -30°C ~ 80°C



东莞市高迪电子有限公司

Dong Guan KDRR Electronic Switch Jack Co., Ltd.

TOLERANCE UNLESS OTHERWISE STATED:

Up to 5 ±0.2  
Above 5 ~ 15 ±0.3  
Above 15 ~ 30 ±0.4  
Above 30 ~ 50 ±0.5  
Angle ±0.3°

3RD. ANGEL'S



UNITS

MM

DRAWN BY: DATE

Jack Lu 12/06/19

CHECKED BY: DATE

Jacky Chen 12/06/19

APPROVED BY: DATE

Tony Kao 12/06/19

MAT'L

FINISH

SCALE

SHEET NO.

TITLE

MODLE

DWG NO.

PART NO.

CONNECTOR

MICRO USB 5P B TYPE H 3.10 有定位住 防水型

MRUSB-5B-WP16E-S347

MRUSB-5B-WP16E-S347

SIZE

A4

VER

R

ITEM NO. DESCRIPTION DRAWN DATE