

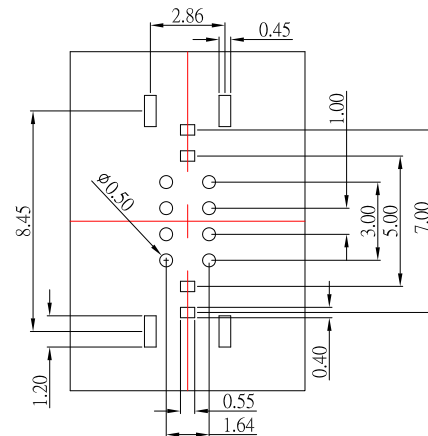
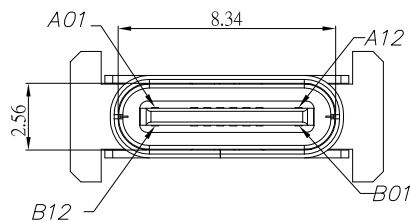


SBC-160Vx-20x-S412

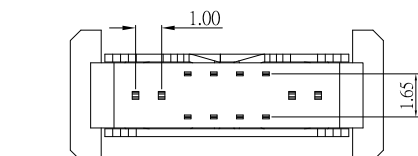
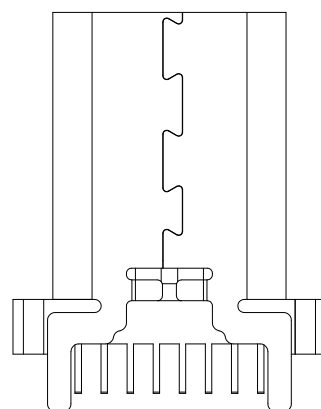
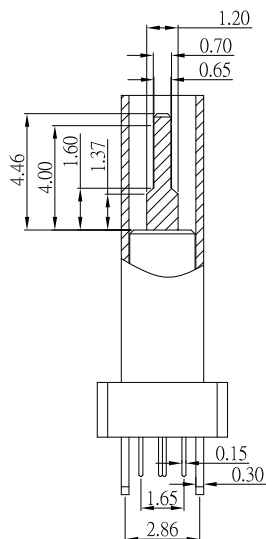
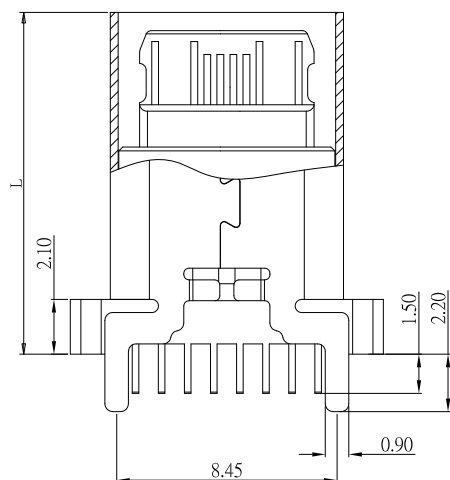
	A	B	C	D	F	J	K	L
L	9.30	10.00	10.50	12.40	13.10	13.70	15.00	17.50

鍍層厚度:

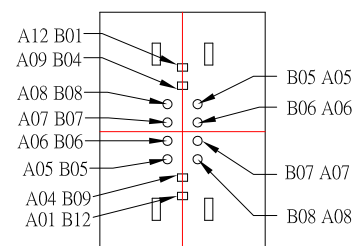
Blank	: 1u"
2	: 15u"
3	: 30u"



RECOMMENDED P.C.B. LAYOUT



A1	GND	B12	GND
A4	VBUS	B9	VBUS
A5	CC1	B8	SBU2
A6	DP1	B7	DN2
A7	DN1	B6	DP2
A8	SBU1	B5	CC2
A9	VBUS	B4	VBUS
A12	GND	B1	GND
PIN	SIGNAL NAME	PIN	SIGNAL NAME



SPECIFICATIONS

Electrical:

1. Dielectric Withstand Voltage: 100V AC
2. Contact Resistance: 30 mΩ Max
3. Insulation Resistance: 100 MΩ Min

Mechanical:

1. Connector Mate and Unmate Force
 - 1.1 Mate force: 5~20 N
 - 1.2 Unmate force: 8~20 N

Material:

1. Housing: LCP
2. Contact: Copper Alloy
3. Shell: SUS

Finish:

1. Contact: Plated Gold in Mating Area ;
Tin Plated on Solder Balls ;
Nickel under plated overall
2. Shell: Nickel under Plated surface layer



东莞市高迪电子有限公司
Dong Guan KDRR Electronic Switch Jack Co., Ltd.

TOLERANCE UNLESS OTHERWISE STATED:

Up to 5 ±0.2
Above 5 ~ 15 ±0.3
Above 15 ~ 30 ±0.4
Above 30 ~ 50 ±0.5
Angle ±0.3°

3RD. ANGEL'S



UNITS

MM

DRAWN BY: Jack Lu
CHECKED BY: Jacky Chen
APPROVED BY: Tony Kao

DATE: 11/11/19
DATE: 11/11/19
DATE: 11/11/19

MAT'L
FINISH
SCALE: 1 : 1
SHEET NO. 1 of 1

TITLE: CONNECTOR
MODLE: TYPE CF 16P 180度 插板
DWG NO.: SBC-160Vx-20x-S412
PART NO.: SBC-160Vx-20x-S412

SIZE: A4
VER: R2

2	新增背面圖示	Jack	111119
1	更新選項代碼	Jack	101519
ITEM NO.	DESCRIPTION	DRAWN	DATE