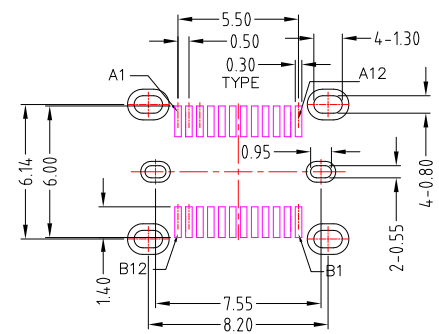




SBC-240VSE5-31x-S277

鍍層厚度 :

Blank : 1u"
2 : 15u"
3 : 30u"



RECOMMEND P.C.B LAYOUT

SPECIFICATIONS

Electrical:

1. Dielectric Withstand Voltage: 100V AC
2. Contact Resistance: 40 mΩ Max
3. Insulation Resistance: 100 MΩ Min

Mechanical:

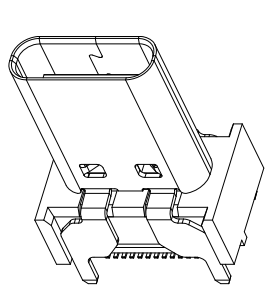
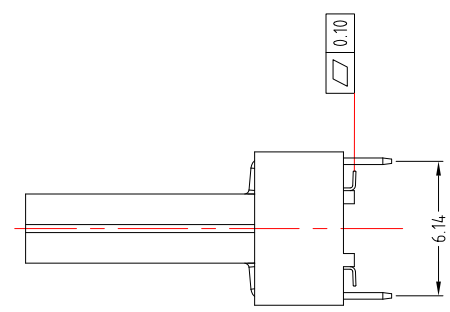
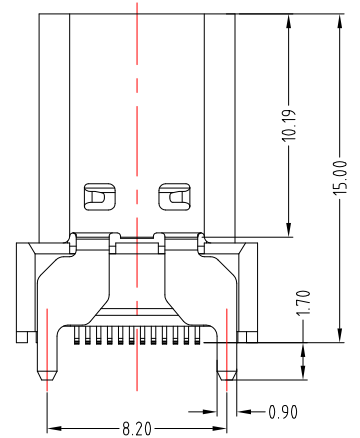
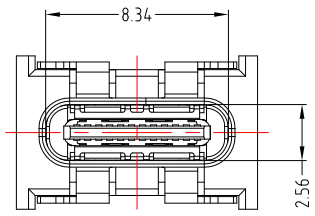
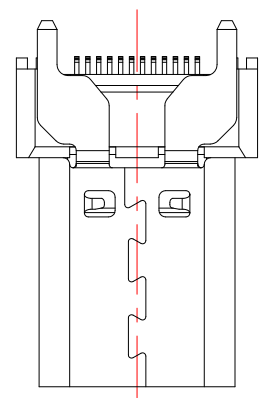
1. Connector Mate and Unmate Force
 - 1.1 Mate force: 5~20 N
 - 1.2 Unmate force: 8~20 N

Material:

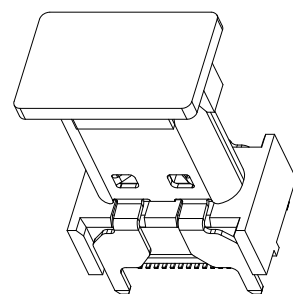
1. Housing: High Temperature Plastic
2. Contact: Copper Alloy
3. Shell: SUS

Finish:

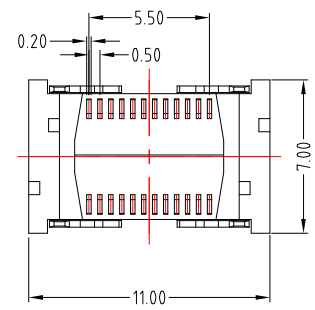
1. Contact: Plated Gold in Mating Area ;
Tin Plated on Solder Balls ;
Nickel under plated overall
2. Shell: Nickel under Plated surface layer



WITHOUT COVER



WITH COVER



东莞市高迪电子有限公司
Dong Guan KDRR Electronic Switch Jack Co., Ltd.

TOLERANCE UNLESS OTHERWISE STATED :

Up to 5 ±0.2
Above 5 ~ 15 ±0.3
Above 15 ~ 30 ±0.4
Above 30 ~ 50 ±0.5
Angle ±0.3°

3RD. ANGEL'S



UNITS

MM

DRAWN BY:	DATE	MAT'L	TITLE	CONNECTOR
Jack Lu	05/09/19		MODLE	TYPE C FEMALE VERTICAL H:15.0mm SMT TYPE
CHECKED BY:	DATE	FINISH	SCALE	1 : 1
Jacky Chen	05/09/19		DWG NO.	SBC-240VSE5-31x-S277
APPROVED BY:	DATE	SHEET NO.	PART NO.	SBC-240VSE5-31x-S277
Tony Kao	05/09/19	1 of 1		

ITEM NO.	DESCRIPTION	DRAWN	DATE