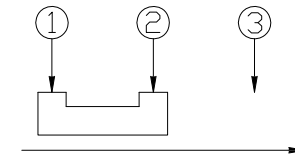
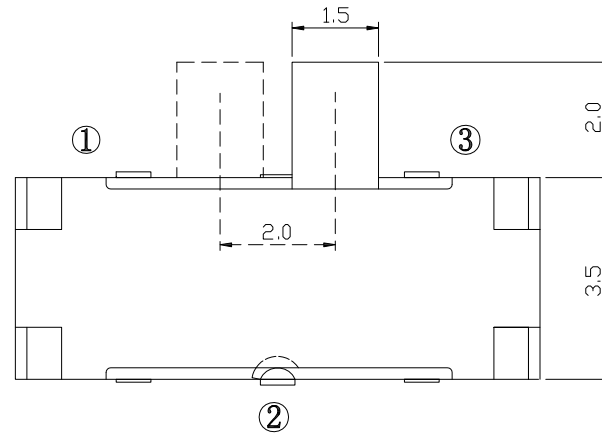
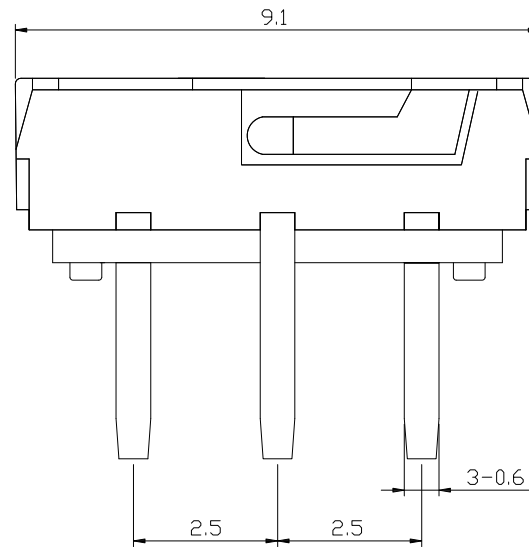
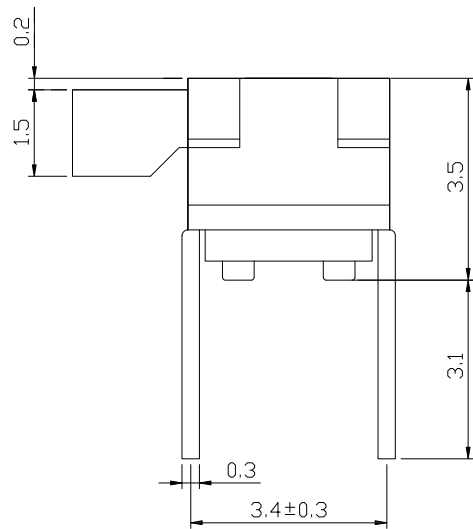


P.C.B LAND PATTERN



CIRCUIT DIAGRAM



SPECIFICATIONS

Rating	0.3A 6V DC
Insulation Resistance	50MΩ Min.
Dielectric Withstanding Voltage	AC 250 V(50Hz)1min
Contact Resistance	100mΩ Max.
Operating Force	200 ± 50gf
Operating Life	10,000 cycles

NO.	DESCRIPTION	QTY	MATERIAL	PLATING
E	TERMINAL	3	PHOSPHOR BRONZE	Ag plated
D	CLIP	1	PHOSPHOR BRONZE	Ag plated
C	COVER	1	SUS	
B	CASE	1	PA46	Black
A	SLIDER	1	PA46	Black



东莞市高迪电子有限公司  
Dong Guan KDRR Electronic Switch Jack Co., Ltd.

TOLERANCE UNLESS OTHERWISE STATED:  
Up to 5 ±0.2  
Above 5 ~ 15 ±0.3  
Above 15 ~ 30 ±0.4  
Above 30 ~ 50 ±0.5  
Angle ±0.3°

3RD. ANGEL'S



UNITS

MM

DRAWN BY: Jack Lu  
CHECKED BY: Jacky Chen  
APPROVED BY: Tony Kao

DATE: 02/13/14  
DATE: 02/13/14  
DATE: 02/13/14

MAT'L  
FINISH  
SCALE: 1 : 1  
SHEET NO. 1 of 1

TITLE: SWITCH  
MODLE: SLIDE SWICTH  
DWG NO. SS-B45-B-S246  
PART NO. SS-B45-B-S246

SIZE: A4  
VER: R

ITEM NO.	DESCRIPTION	DRAWN	DATE